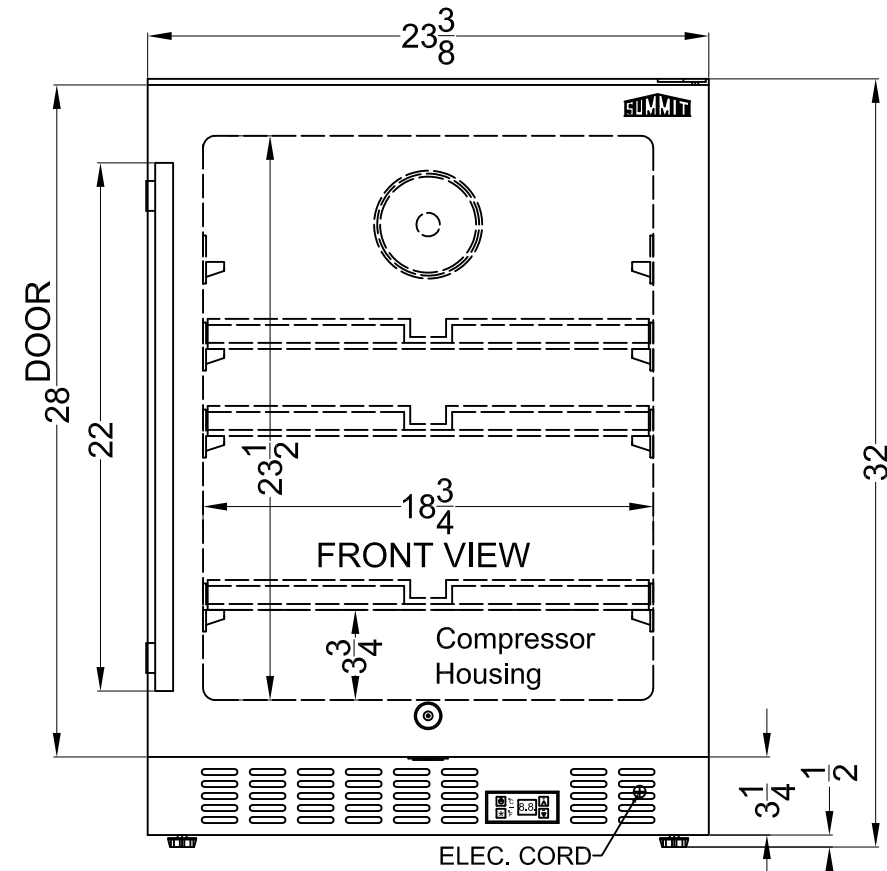
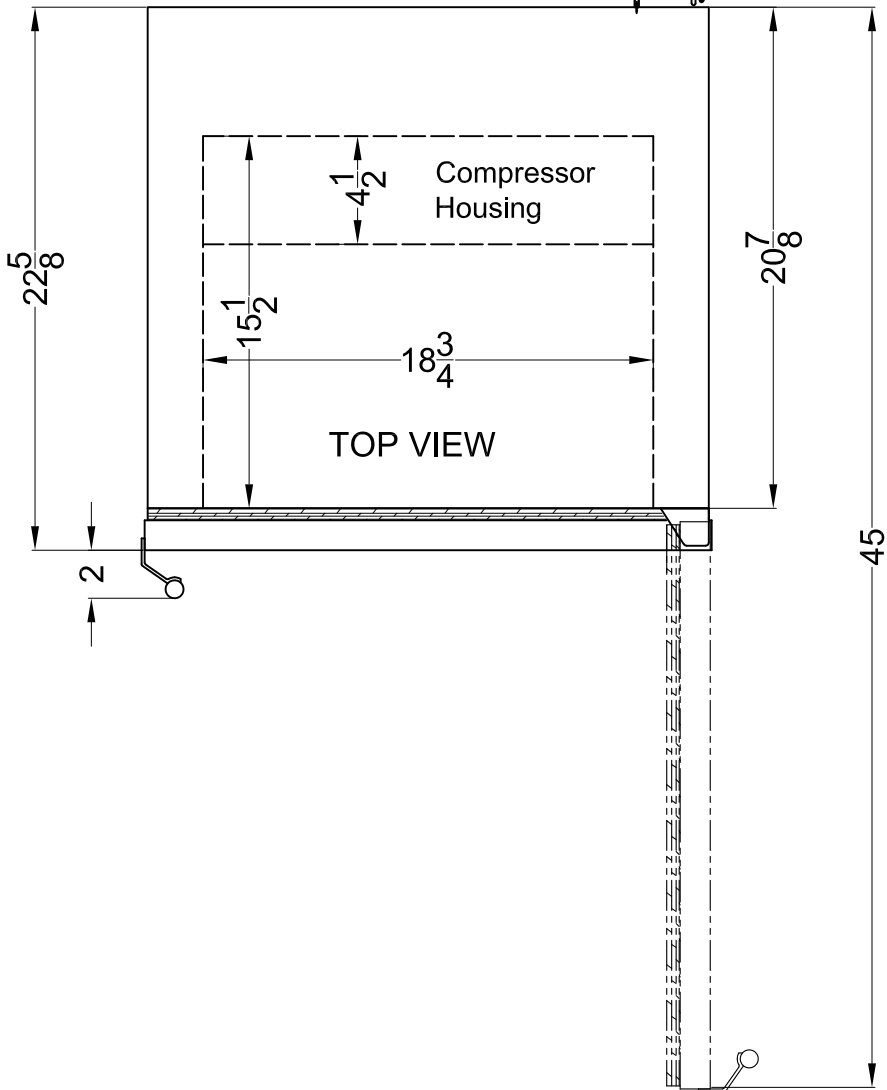


6'-0" LG. ELEC. CORD



MODEL NO. ALFZ53
LFZ24A

TYPE:
FREEZER

SUMMIT

FELIX STORCH, INC.
www.summitappliance.com

718-893-3900

DATE: JUNN/22/2022