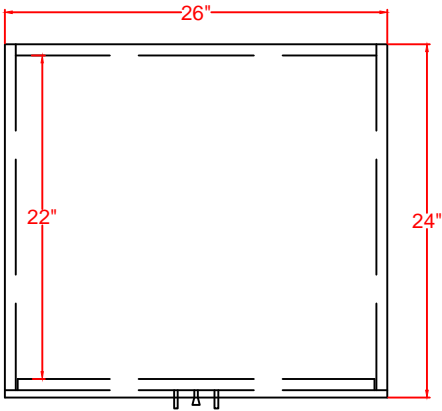


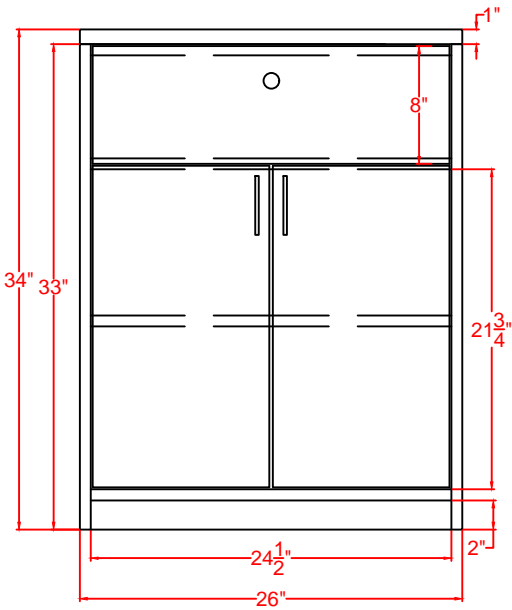
SKU: CWC2ADA

Cabinet

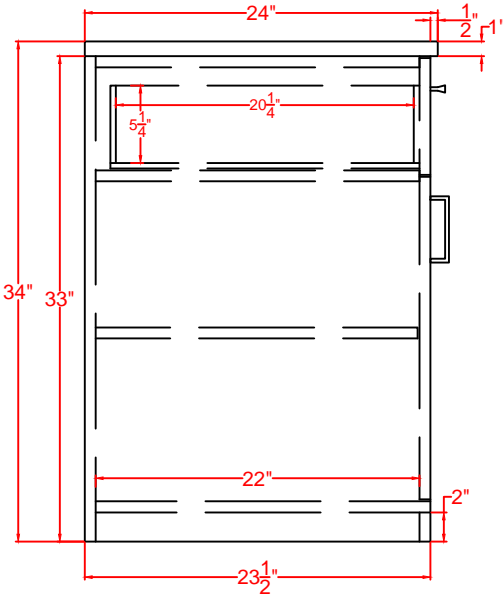
08/10/22



Plan



Elev



Profile

**SUMMIT**

FELIX STORCH, INC.  
[www.summitappliance.com](http://www.summitappliance.com)

718-893-3900