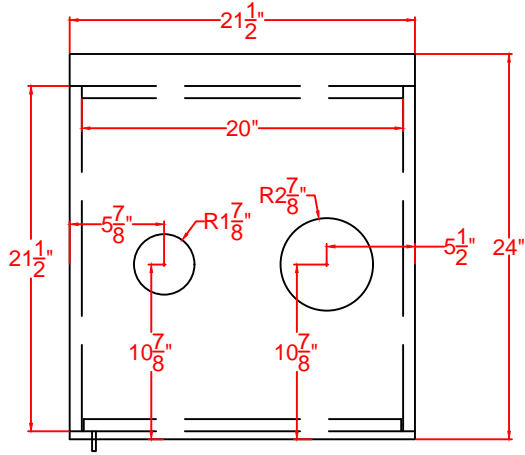


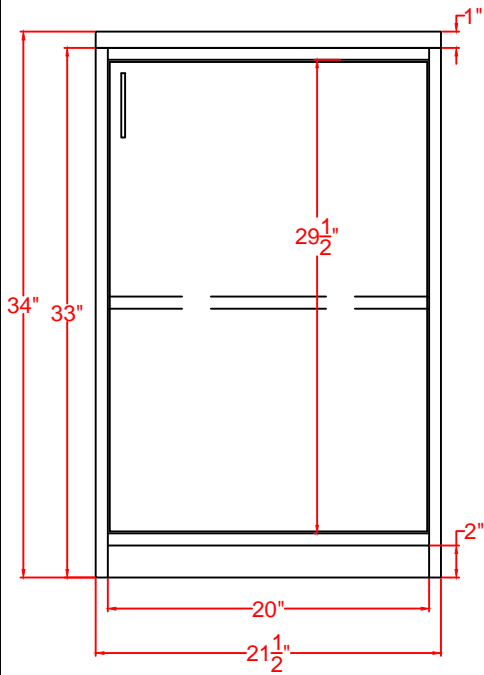
SKU: CWC5ADA

Cabinet

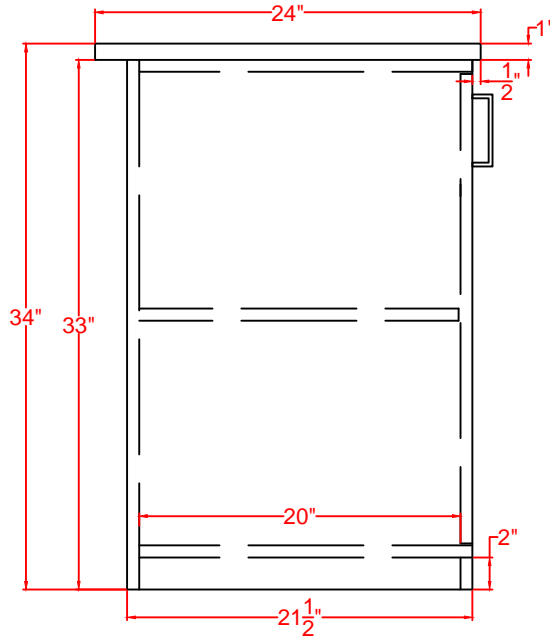
08/10/22



Plan



Elev



Profile

SUMMIT

FELIX STORCH, INC.
www.summitappliance.com

718-893-3900