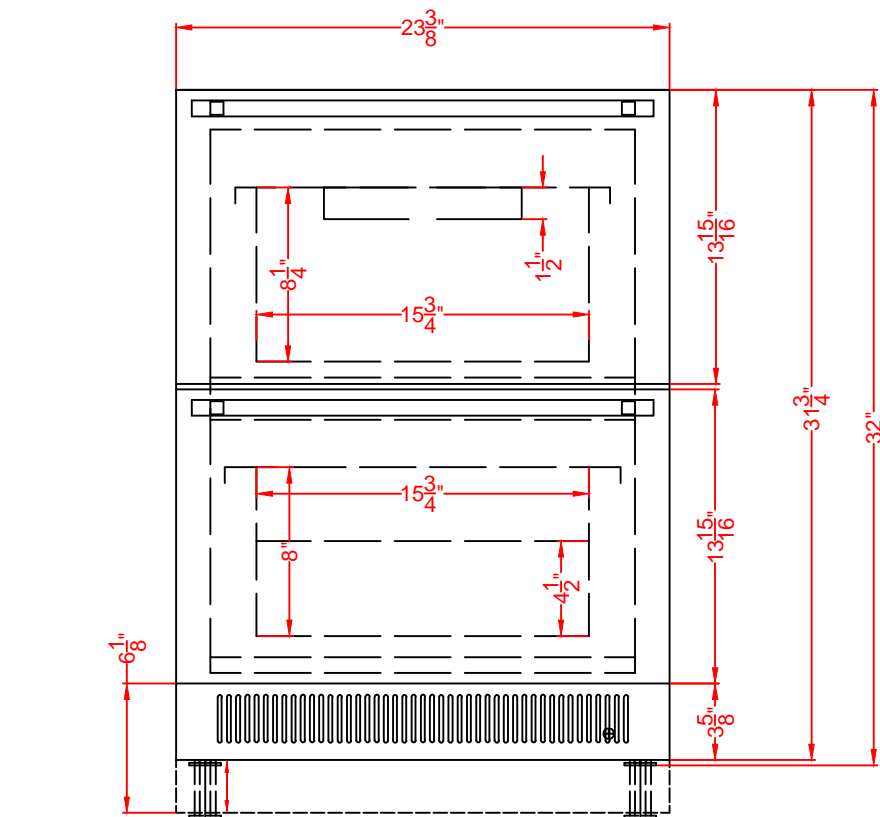


TOP VIEW



Replacement Kickplate +2 1/2\"/>

FRONT VIEW

**ADFD2D24**  
**Drawer-Freezer**  
**11/03/22**  
**Scale**

**SUMMIT**  
 FELIX STORCH, INC.  
[www.summitappliance.com](http://www.summitappliance.com)  
 718-393-3900