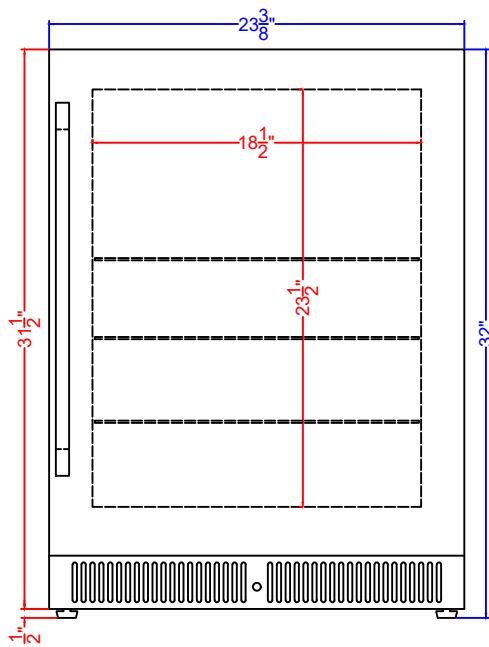
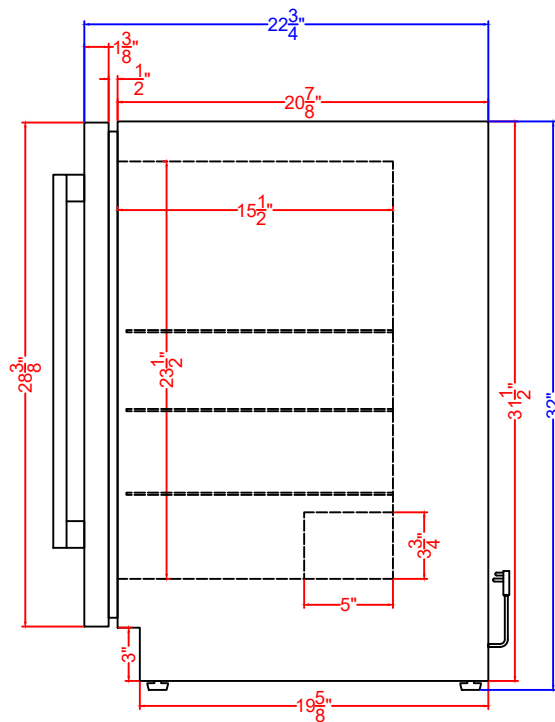


Top View



Front View



Profile View

ALFZ53
Freezer
05/28/24

SUMMIT

FELIX STORCH, INC.
www.summitappliance.com
718-893-3900