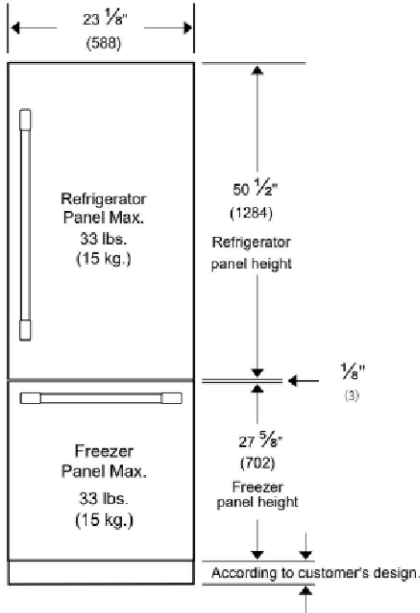


**FFBF11NT**  
**Built-In Refrigerator**  
**Unit Dimensions**  
**02/06/25**

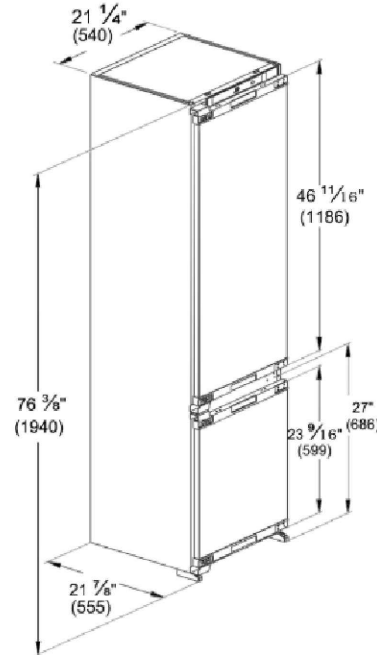
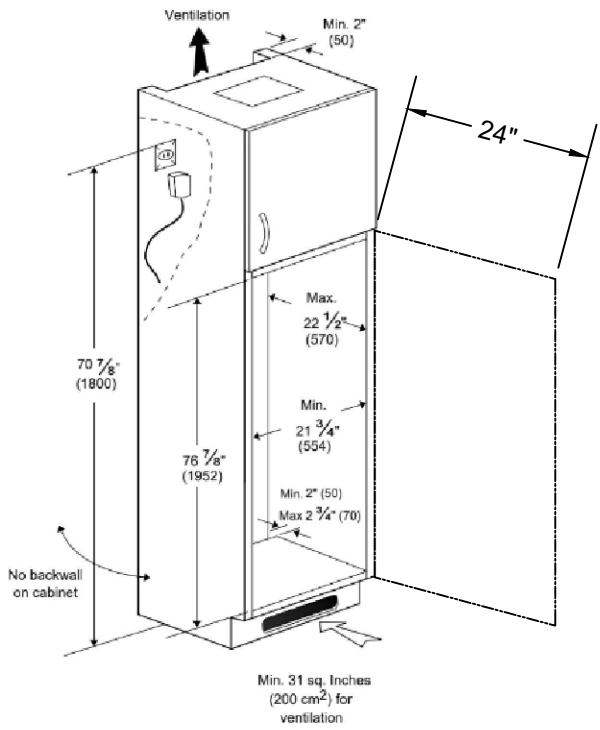
**SUMMIT**

FELIX STORCH, INC.  
 www.summitappliance.com  
 718-893-3900



Recommended Panel Dimensions	
Freezer	23 1/8" x 27 5/8" <b>(588 x 702)</b>
Refrigerator	23 1/8" x 50 1/2" <b>(588 x 1284)</b>
Thickness	3/4" <b>(19 mm)</b>
Panel Weight (Max.)	
	33 lbs. 15 kg.

Cabinet Opening Dimensions		Product Dimensions	
Net Empty Width	21 3/4" ± 1/16" <b>554 mm</b>	Width	21 1/4" <b>540 mm</b>
Net Empty Depth	22 1/2" > (Recommended 23 5/8") <b>570 mm</b>	Depth	21 7/8" <b>555 mm</b>
Net Empty Height	76 7/8" ± 1/8" <b>1952 mm</b>	Height	76 3/8" <b>1942 mm</b>



**FFBF11NT**  
**Built-In Refrigerator**  
**Installation**  
 Please refer to manual for  
 complete instructions  
**02/06/25**

**SUMMIT**  
 FELIX STORCH, INC.  
 www.summitappliance.com  
 718-893-3900