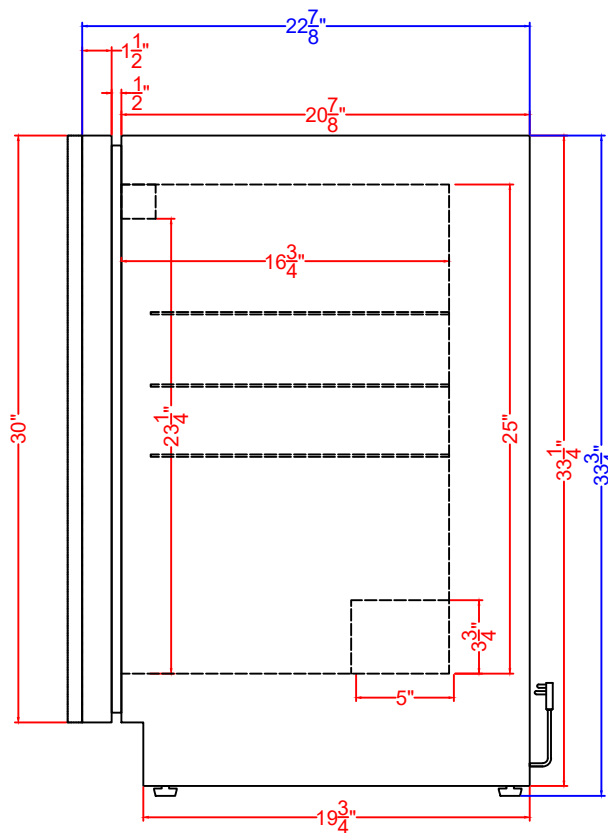
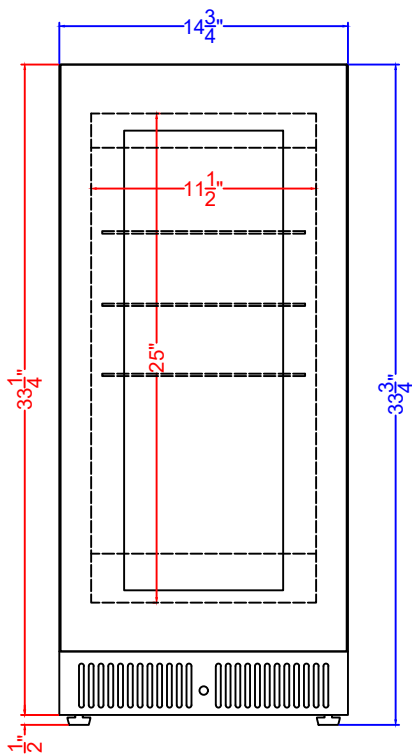


Door Size



CL156BV1PNR  
Beverage Center  
04/09/25

**SUMMIT**

FELIX STORCH, INC.  
www.summitappliance.com  
718-893-3900