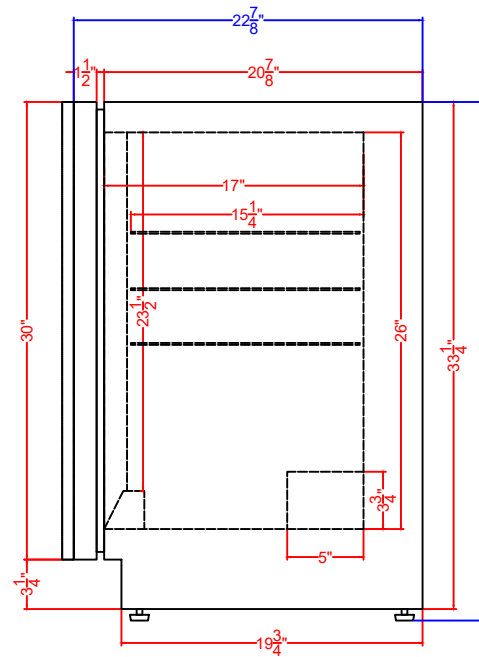
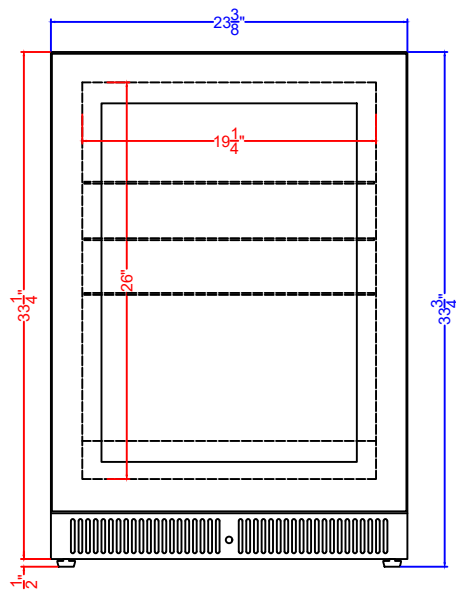


Door Size



**CL24BV1PNR**  
**Beverage Center**  
**04/09/25**

**SUMMIT**

FELIX STORCH, INC.  
 www.summitappliance.com  
 718-893-3900