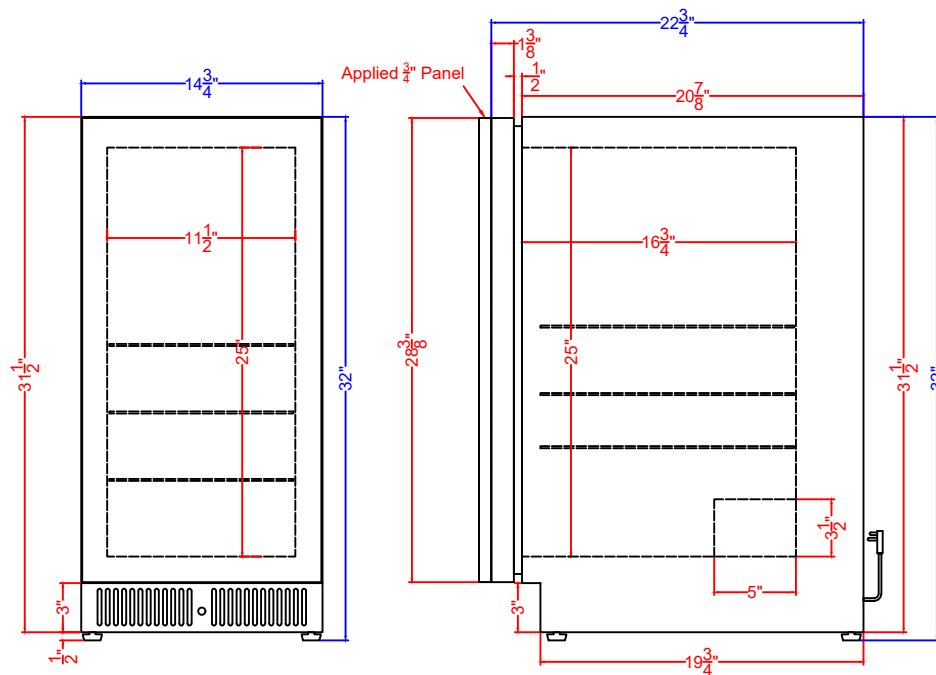


Panel Dimensions
See Manual for Complete Instructions



ALR15BSSPNR
Refrigerator
04/30/26

SUMMIT
APPLIANCE

SUMMIT APPLIANCE DIVISION,
FELIX STORCH, INC. ISO 9001 CERTIFIED
TEL 718.893.3900 • FAX 844.478.8799
summitappliance.com
info@summitappliance.com