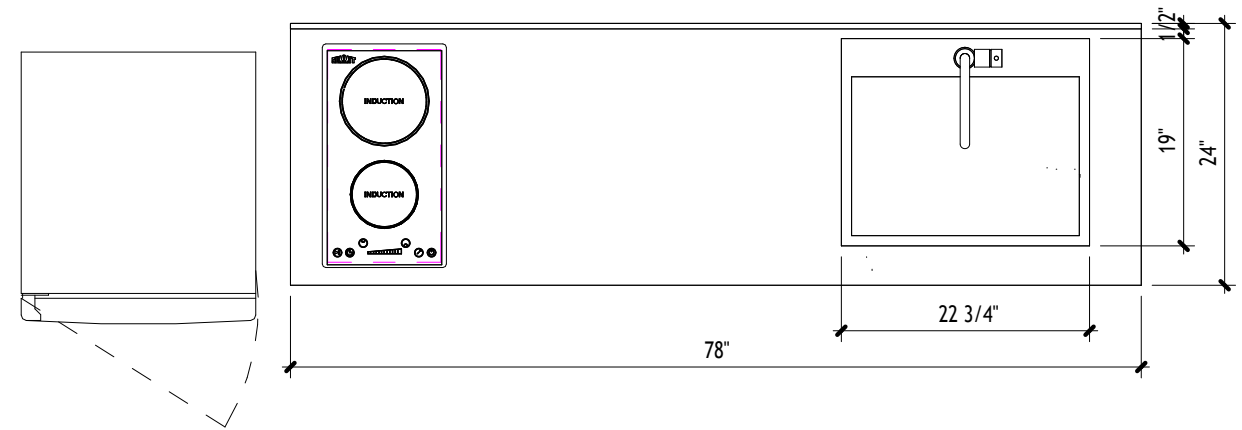
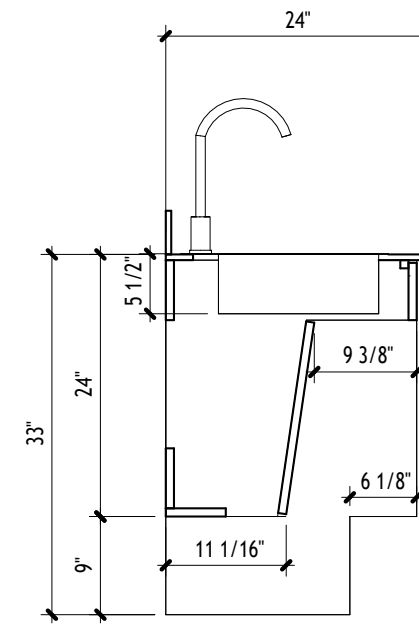


① CABINET ELEVATION R  
3/4" = 1'-0"



② CABINET PLAN R  
3/4" = 1'-0"



③ SECTION AT SINK R  
3/4" = 1'-0"



BARRIER-FREE KITCHEN  
MKBF88DBWTR

06/29/2026

7/1/2026 10:19:19 AM