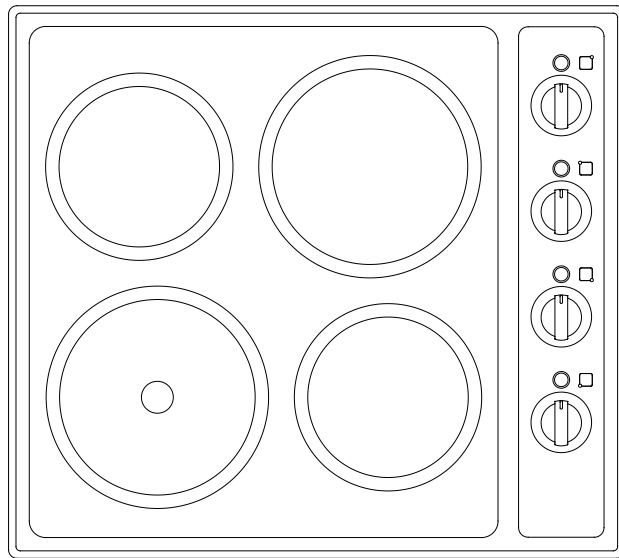
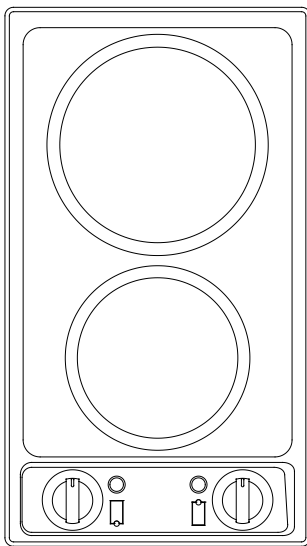




**ELECTRIC COOKTOPS /
TABLES DE CUISSON ÉLECTRIQUES**
Owner's Manual / Mode d'emploi

**Models / Modèles : CSD2B115 / CSD2B115E / LCSD1152B /
CSD2B230 / CSD4B24 / CSD4B300 /
CSD4B301E / LCSD302**



BEFORE USE, PLEASE READ AND FOLLOW ALL SAFETY RULES AND OPERATING INSTRUCTIONS.

**AVANT UTILISATION, VEUILLEZ LIRE ET SUIVRE TOUTES LES RÈGLES DE SÉCURITÉ ET LES
INSTRUCTIONS D'UTILISATION.**

Write Serial No. (on bottom of unit) here:
Inscrivez le numéro de série (au bas de l'unité) ici:

FELIX STORCH, INC.

**An ISO 9001:2015 registered company
770 Garrison Avenue
Bronx, NY10474
www.summitappliance.com**

TABLE OF CONTENTS

Appliance Safety	2
Important Safeguards	2 - 4
Location of Parts	5 - 6
Installation Instructions	7 - 11
Before Using Your Appliance	7
Installation of Your Appliance	7 - 9
Electrical Connection	10 - 11
Operating Your Appliance	12 - 12
Operating Your Cooktop	12
Operating Indicators	12
Cookware Selection	12
Care and Maintenance	13
Cleaning Your Appliance	13
Troubleshooting	14
Limited Warranty	15
French version of this manual	16 - 29

APPLIANCE SAFETY

Your safety and the safety of others are very important.

We have provided many important safety messages in this manual and on your appliance. Always read and obey all safety messages.



This is the Safety Alert Symbol. The symbol alerts you to potential hazards that can kill or injure you and others. All safety messages will follow the Safety Alert Symbol and either the words **DANGER** or **WARNING**.



DANGER means that failure to heed this safety statement may result in severe personal injury or death.



WARNING means that failure to heed this safety statement may result in extensive product damage, serious personal injury, or death.

All safety messages will alert you about the potential hazard, tell you how to reduce the chance of injury, and let you know what can happen if the instructions are not followed.

IMPORTANT SAFEGUARDS



Before the appliance is used, it must be properly positioned and installed as described in this manual, so read the manual carefully. To reduce the risk of fire, electrical shock or injury when using the appliance, follow basic precautions, including the following:



It is recommended that a separate circuit serving only your appliance be provided. Use receptacles that cannot be turned off by a switch or pull chain.

Never clean appliance parts with flammable fluids. These fumes can create a fire hazard or explosion. And do not store or use gasoline or other flammable vapors and liquids in the vicinity of this or any other appliance. The fumes can create a fire hazard or explosion.

Before proceeding with cleaning and maintenance operations, make sure the power line of the unit is disconnected.

Unplug the appliance or disconnect power before cleaning or servicing. Failure to do so can result in electrical shock or death.

User Servicing - Do not attempt to repair or replace any part of your appliance unless it is specifically recommended in this manual. All other servicing should be referred to a qualified technician.

WARNING

FOLLOW WARNING CALLOUTS BELOW ONLY WHEN APPLICABLE TO YOUR MODEL

This appliance is only intended for residential cooking. The manufacturer cannot be held responsible for damage or injury caused by improper use or for uses other than those for which this appliance is intended.

Do not touch hot surfaces. Use handles or knobs.

To protect against electrical shock, do not immerse cord or body of unit in water or other liquid.

Close supervision is necessary when any appliance is used by or near children.

Do not operate any appliance with a damaged cord or after the appliance malfunctions or has been damaged in any manner. Return appliance to the nearest authorized service facility for examination, repair, or adjustment.

The use of accessory attachments not recommended by the appliance manufacturer may cause injuries. Do not use outdoors.

Do not let cord hang over edge of table or counter, or touch hot surfaces.

Extreme caution must be used when moving an appliance containing hot oil or other hot liquids.

To disconnect power, turn any control to "OFF".

CAUTION - Do not store items of interest to children in cabinets above a range or on the backguard of a range – children climbing on the range to reach items could be seriously injured.

Do Not Cook on a Broken Cooktop - If cooktop should break, cleaning solutions and spillovers may penetrate the broken cooktop and create a risk of electric shock.

Clean Cooktop with Caution - If a wet sponge or cloth is used to wipe spills on a hot cooking area, be careful to avoid steam burns. Some cleaners can produce noxious fumes if applied to a hot surface.

The appliance must be installed with all electrical, water and drain connections in accordance with state and local codes. A standard electrical supply (120V AC or 240 V AC only, 60 Hz), properly grounded in accordance with the National Electrical Code and local codes and ordinances, is required.

Electrical Grounding Instructions - The appliance must be installed and grounded by a qualified technician in accordance with the National Electrical Code ANSI/NFPA No. 70 (Latest Edition) and local electrical code requirements.

Do not kink or pinch the power supply cord of the appliance.

The size of the fuse (or circuit breaker) should be 20 amperes.

Proper Installation - Be sure your appliance is properly installed, per the manufacturer instructions.

Never use your appliance for warming or heating the room.

Do Not Leave Children Alone - Children should not be left alone or unattended in area where the appliance is in use. They should never be allowed to sit or stand on any part of the appliance.

Use Proper Pan Size - This appliance is equipped with one or more surface units of different size. Select utensils having flat bottoms large enough to cover the surface unit heating element. The use of undersized utensils will expose a portion of the heating element to direct contact and may result in ignition of clothing. Proper relationship of utensil to burner will also improve efficiency.

Never Leave Surface Units Unattended at High Heat Settings – Boil-over causes smoking and greasy spillovers that may ignite and can create a Fire Hazard.

Do Not Touch Heating Elements or Areas Near Heating Elements - Heating elements may be hot even though they are dark in color. Areas near heating elements may become hot enough to cause burns. During and after use, do not touch or let clothing or other flammable materials contact heating elements or areas near heating elements until they have had sufficient time to cool. Among these areas are the cooktop and surfaces facing the cooktop.

Wear Proper Apparel – Loose-fitting or hanging garments should never be worn while using the appliance.

Storage in or on Appliance – Flammable materials should not be stored in an oven or near surface units.

Do Not Use Water on Grease Fires – Smother fire or flame or use dry chemical or foam-type extinguisher.

Use Only Dry Potholders – Moist or damp potholders on hot surfaces may result in burns from steam.

Do not let potholder touch hot heating elements. Do not use a towel or other bulky cloth.

Make Sure Reflector Pans or Drip Bowls Are in Place – Absence of these pans or bowls during cooking may subject wiring or components underneath to damage.

Protective Liners – Do not use aluminum foil to line surface unit drip bowls or oven bottoms, except as suggested in the manual. Improper installation of these liners may result in a risk of electric shock, or fire.

Glazed Cooking Utensils – Only certain types of glass, glass/ceramic, ceramic, earthenware, or other glazed utensils are suitable for range-top service without breaking due to the sudden change in temperature.

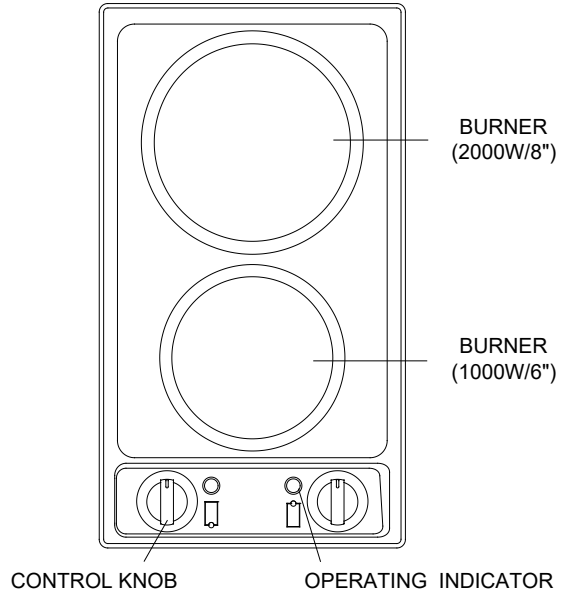
Utensil Handles Should Be Turned Inward and Not Extend Over Adjacent Surface Units – To reduce the risk of burns, ignition of flammable materials, and spillage due to unintentional contact with the utensil, the handle of a utensil should be positioned so that it is turned inward, and does not extend over adjacent surface units.

Do Not Soak Removable Heating Elements – Heating elements should never be immersed in water. Use this appliance only for its intended purpose as described in this *Owner's Manual*.

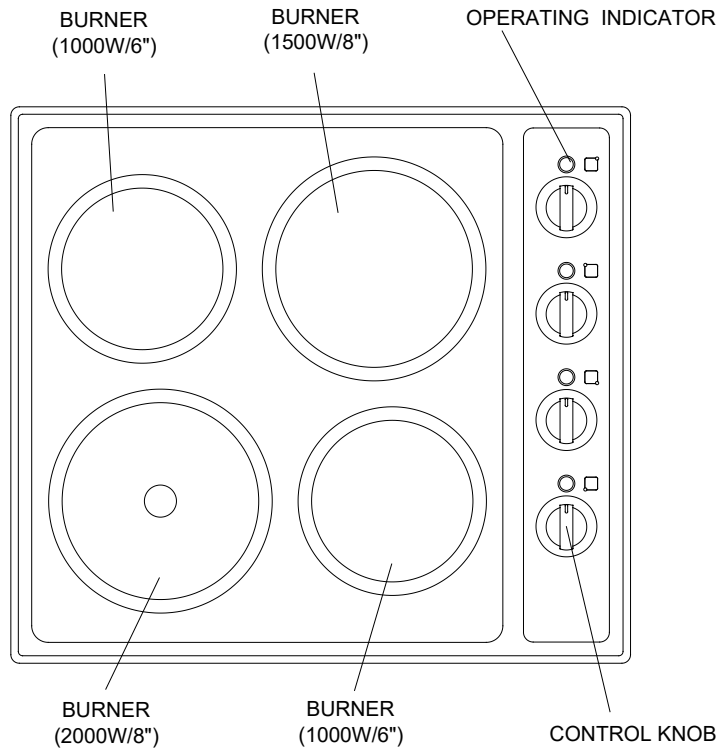
- SAVE THESE INSTRUCTIONS -

LOCATION OF PARTS

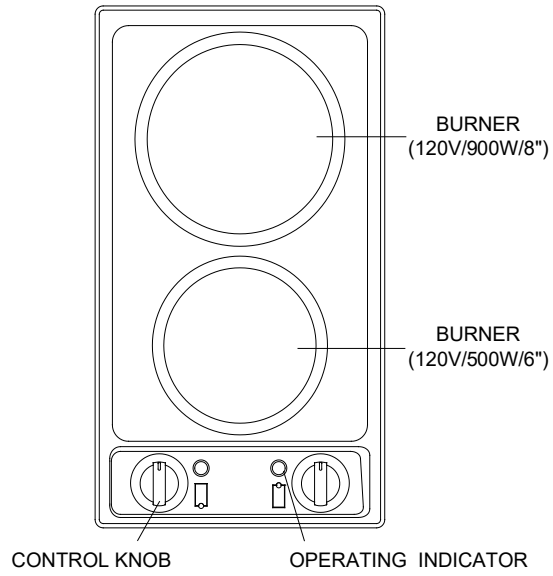
MODEL CSD2B230



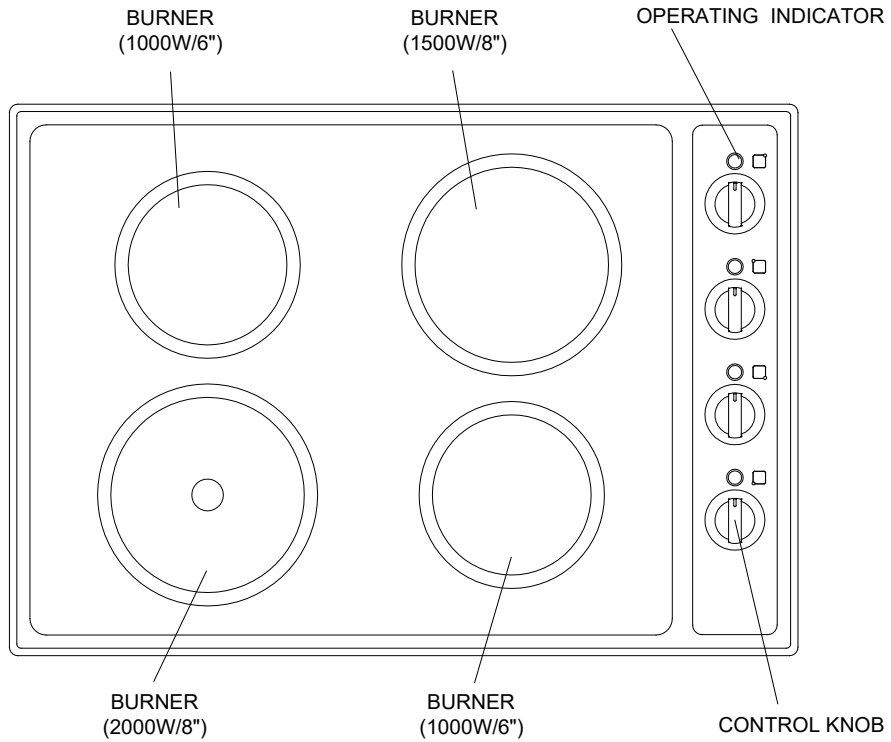
MODEL CSD4B24



MODEL CSD2B115 / CSD2B115E / LCSD1152B



MODEL CSD4B300 / CSD4B301E / LCSD302



INSTALLATION INSTRUCTIONS

BEFORE USING YOUR APPLIANCE

Remove the exterior packing.

Check if there is any damage to the unit.

Clean the unit. A thorough cleaning with a recommended cooktop cleaner will provide a clean, shiny coating on the cooktop surface.

INSTALLATION OF YOUR APPLIANCE

Follow these directions to prepare the countertop cutout and install your cooktop:

1. Countertop Preparation

NOTE: Please read this section prior to making cutout for cooktop. It is important to plan ahead for installation of the cooktop, keeping the following dimensions in mind.

A — 13 inches maximum depth of overhead cabinets

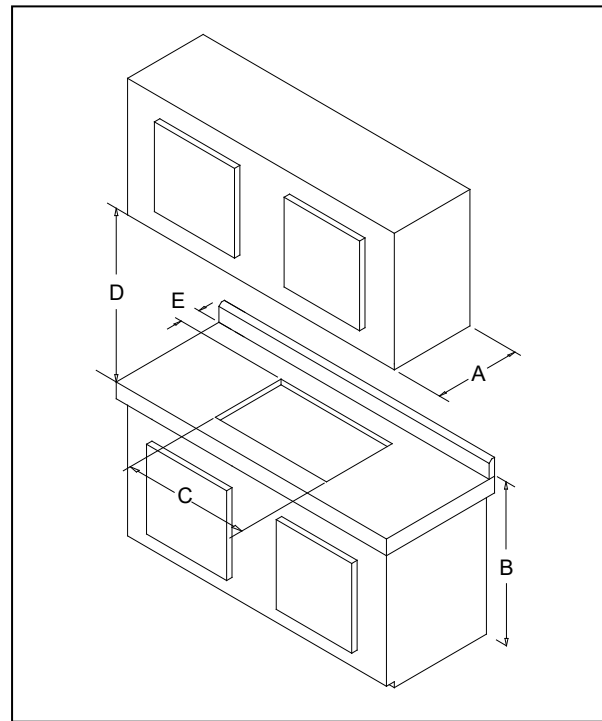
B — 34 inches is the minimum height of the countertop above the floor

NOTE: Some building codes may vary.

C — The minimum flat countertop surface that the cooktop will rest upon must be equal to or greater than the overall cooktop dimensions (refer to the following page for overall cooktop dimensions).

D — 30 inches minimum clearance between the top of the cooking surface and the bottom of an unprotected wood or metal cabinet or 24 inches minimum clearance when the bottom of wood or metal cabinet is protected by not less than 1/4 - inch thick flame retardant millboard covered with not less than No. 28 MSG sheet steel, 0.015-inch-thick stainless steel, 0.024-inch-thick aluminum or 0.020-inch-thick copper.

E — 1-inch minimum from backsplash of countertop to edge of glass (refer to the following page for overall cooktop dimensions).



NOTE: Do not install closer than 1/2 inch (12 mm) from any adjacent surface.

⚡WARNING⚡

To eliminate the risk of burns by reaching over heated surface units, avoid having cabinet storage space located above surface units. If cabinet storage is to be provided, the risk can be reduced by installing a range hood that projects horizontally a minimum of 5" beyond the bottom of the cabinets.

Before making the countertop cutout, check for clearance. Check to see if the cooktop will clear the front and side walls of the base cabinet. It is also important to provide enough ventilation.

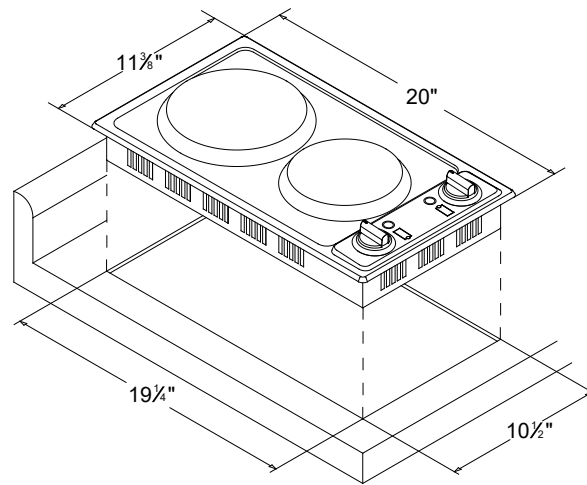
Adequate ventilation of the space below the countertop must be provided to ensure proper operation of the cooktop. Heat transferred from the cooktop bottom pan during operation will overheat an improperly ventilated area.

Allow a 2" minimum clearance between the bottom of the metal pan of the cooktop and any combustible surface located below, i.e.: the upper edge of a drawer installed below the cooktop. Failure to provide proper clearances and ventilation may result in a fire hazard. If the cooktop is installed above an oven, keep the cooktop's power cord from contacting the oven.

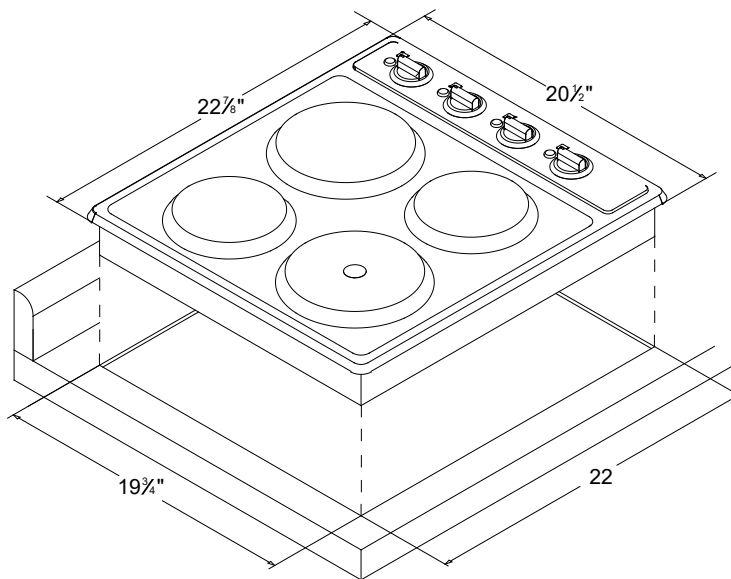
Cooktop dimensions and countertop cutout dimensions are shown below:

NOTE: When making the countertop, radius the corners of the cutout (1/4" radius is typical). This will prevent cracking of the countertop. Follow the countertop manufacturer's instructions regarding the minimum corner radius and reinforcement of corners.

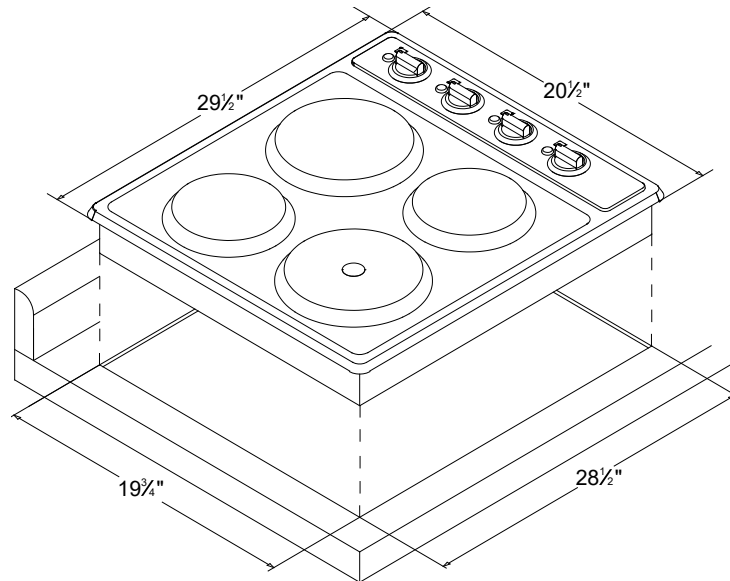
Model CSD2B230 / CSD2B115 / CSD2B115E / LCSD1152B



Model CSD4B24



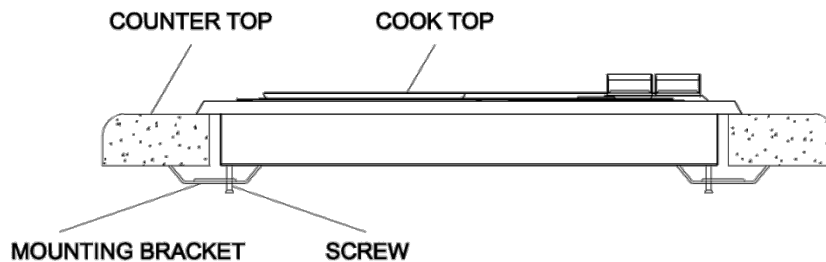
Model CSD4B300 / CSD4B301E / LCSD302



2. Installing the Cooktop

There are four mounting brackets supplied with the electric cooktop. These brackets are designed to hold the cooktop firmly in place. The cooktop should be bedded to the countertop using a soft bedding compound that will prevent damage if later removal for service is necessary. We recommend a very small bead of silicone sealant.

Position the cooktop in the cutout opening and press firmly on all sides to seal the frame into the bedding compound. Secure the mounting brackets to the cooktop from underneath with the screws that are supplied as shown below.



ELECTRICAL CONNECTION

⚡WARNING⚡

Improper connection of the equipment-grounding can result in the risk of electrical shock. If the power cord of the unit is damaged, have it replaced by an authorized service center.

For personal safety, the appliance must be properly grounded.

Remove house fuse or open circuit breaker before beginning installation.

Do not attempt to repair or replace any part of the appliance unless it is specifically recommended in this manual. All other servicing should be referred to a qualified technician.

To minimize the possibility of electric shock, disconnect this appliance from the A/C power supply before attempting any maintenance.

Before installing this appliance, please check the rating on the rating label located on the rear cover of this appliance. The unit must be connected to the proper electrical voltage and frequency as specified on the rating label.

Do not use an extension cord.

NOTE: *Turning the appliance off does not disconnect the appliance from the power supply. We recommend having a qualified technician service your appliance.*

MODELS: CSD2B115 / CSD2B115E / LCSD1152B

This appliance should be properly grounded for your safety. The power cord of the appliance is equipped with a grounded plug that mates with standard three prong wall outlets to minimize the possibility of electrical shock.

Do not under any circumstances cut or remove the third ground prong from the power cord supplied. For personal safety, this appliance must be properly grounded.

This appliance requires a standard 115/120 Volt AC ~/60Hz electrical ground outlet with three-prong socket. Have the wall outlet and circuit checked by a qualified electrician to make sure the outlet is properly grounded. When a standard 2-prong wall outlet is encountered, it is your responsibility and obligation to have it replaced with a properly grounded 3-prong wall outlet.

The appliance should always be plugged into its own individual electrical outlet that has a voltage rating that matches the rating label on the appliance. This provides the best performance and also prevents overloading house wiring circuits that could cause a fire hazard from overheating. Never unplug the appliance by pulling the power cord. Always grip the plug firmly and pull straight out from the receptacle. Repair or replace immediately all power cords that have become frayed or otherwise damaged. Do not use a cord that shows cracks or abrasion damage along its length or at either end. When moving the appliance, be careful not to damage the power cord.

MODELS: CSD2B230 / CSD4B24 / CSD4B300 / CSD4B301E / LCSD302

The appliance must be properly installed and grounded by a qualified technician in accordance with the National Electrical Code ANSI/NFPA No. 70 (Latest Edition) and local electrical code requirements. Installation should be made by a licensed electrician.

The unit may be connected by means of permanent Hard Wiring or Power Supply Cord Kit. The power supply cord is not supplied but is available through your local electrical supplies supplier.

Use only a 3-conductor or 4-conductor UL-listed cord rated at 20 amps with a 250V minimum voltage range. These cords may be provided with strain relief or a conduit connector.

The unit should be connected directly to the junction box through flexible, armored or nonmetallic sheathed, copper cable. The flexible, armored cable extending from the fuse box or circuit breaker box should be connected directly to the junction box. Locate the junction box to allow as much slack as

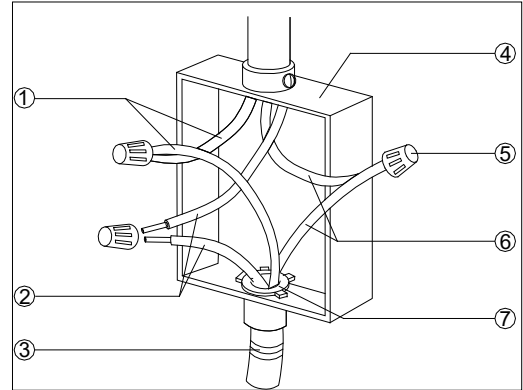
possible between the junction box and the unit so that the unit can be moved if servicing becomes necessary in the future.

Do not cut the conduit. Use the length of the conduit provided.

1. 3-Wire Power Cord Installation

IMPORTANT: Use the 3-wire cable from power supply where local codes permit connecting the frame-ground conductor to the neutral (white) junction box wire.

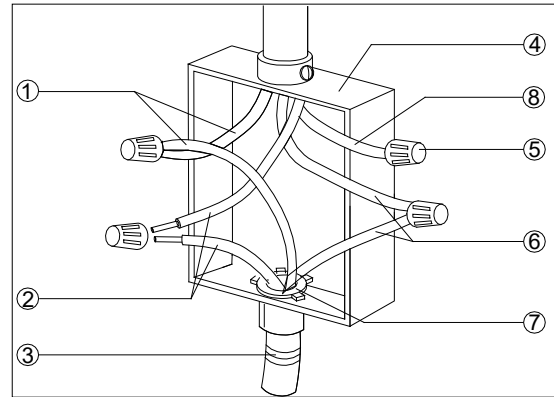
1. Disconnect power
2. Remove junction box cover, if present.
3. Connect the flexible cable conduit (3) from the cooktop to the junction box (4) using a UL listed or CSA approved conduit connector (7).
4. Tighten screws on conduit connector if present.
5. Connect the two black wires (1) together using the UL listed wire nut (5).
6. Connect the two red wires (2) together using the UL listed wire nut.
7. Connect the green wire (6) to the white (neutral) wire (6) in the junction box using the UL listed wire nut.
8. Install junction box cover.
9. Reconnect power.



2. 4-Wire Power Cord Installation

IMPORTANT: Use the 4-wire cable from power supply where local codes do not permit connecting the frame-ground conductor to the neutral (white) junction box wire.

1. Disconnect power
 2. Remove junction box cover if present.
 3. Connect the flexible cable conduit (3) from the cooktop to the junction box (4) using a UL listed or CSA approved conduit connector (7).
 4. Tighten screws on conduit connector, if present.
 5. Connect the two black wires (1) together using the UL listed wire nut (5).
 6. Connect the two red wires (2) together using the UL listed wire nut.
 7. Connect the green wire (6) from the cooktop cable to the green wire (6) (in the junction box) using the UL listed wire nut.
 8. Put a UL listed wire nut on the end of the white wire (8).
- NOTE:** Do not connect the bare ground wire to the neutral (white) wire in the junction box.
9. Install junction box cover.
 10. Reconnect power.



OPERATING YOUR APPLIANCE

OPERATING YOUR COOKTOP

Any burner can be turned on by pushing the control knob down and turning it clockwise or counter-clockwise to the desired setting. To adjust the setting, turn the knob without pressing down. The burner is turned off by turning the control knob clockwise or counter-clockwise to "OFF".

OPERATING INDICATORS

When the burner is turned on, the corresponding operating indicator will light up regardless of the setting.

⚡ WARNING ⚡

Do not touch or lay any heat-sensitive objects on the cooktop while the operating indicator is still on. Danger of burns and fire hazard!

COOKWARE SELECTION

Pots and pans

Special cookware is not required, but as is true with all types of cooking appliances, the better the cookware, the better the performance.

Following these tips will allow you to make the most of your ceramic cooktop.

For the most even and energy- efficient cooking, the diameter of the pots should match the diameter of the burners as closely as possible.

Use cookware with thick, flat, smooth bottoms. Slightly concave bottoms will also work adequately. Pans with convex bottoms will not cook well.

Using a lid while cooking will minimize the loss of heat and decrease the cooking time.

Copper-bottom and aluminum pans may leave a residue on the cooktop in the form of metallic lines. This is normal. These lines can be removed using a non-abrasive ceramic cooktop cleaner or a shielded scraper blade.

Cast iron, glass or stoneware should not be used because they have poor heat transfer and may scratch the surface.

CAUTION: Be sure to clean the cooktop after each use. Each time the residue is allowed to melt it becomes harder to remove and may mar the appearance of the cooktop. Let the cooktop cool before cleaning.

CARE AND MAINTENANCE

CLEANING YOUR APPLIANCE

Do not use a steam cleaner to clean this appliance. Steam could penetrate electrical components and cause a short circuit. Pressurized steam could cause permanent damage to the surface and to components for which the manufacturer cannot accept responsibility.

Do not use any sharp pointed objects which could damage the seal between the burners, the surrounding frame and the countertop.

Never use abrasive or caustic (oven) cleaners, dishwasher detergent, scouring pads, steel wool or hard brushes. They will damage the surface.

The burners can be cleaned by the damp cloth with mild detergent and warm water. Do not Immerse in Water! Occasionally wiping the surface of the burners with a trace of clean cooking oil will help to maintain their appearance.

Make sure that no cleaner residue remains on the cooking surface by carefully wiping the cooktop with a damp cloth. The residue could damage the cooktop or produce toxic fumes when heated.

Be sure that pot and pan bases are clean and dry. After cleaning, dry the cooking surface with a soft cloth to prevent a buildup of lime scale deposits.

Clean any spills immediately before they become difficult to remove.

Clean the appliance regularly, preferably after each use. Allow the appliance to cool before cleaning.

Wipe off any soiling using a damp cloth. Stubborn soiling is best removed with a shielded scraper blade.

Apply a mild cleaner using a soft cloth or paper towel. To remove any lime scale deposits or metallic residue, apply a mild cleaner using a soft cloth and a shielded scraper blade if necessary.

After cleaning, wipe the cooking surface with a damp cloth and dry.

A cleaner with a special additive to prevent water marks and smears on the cooking surface may be used.

Any melted solids like sugar, plastic or aluminum foil should be removed as soon as possible, while the burner is still warm. If they are allowed to harden, the cooktop may become pitted.

TROUBLESHOOTING

You can solve many common problems easily, saving you the cost of a possible service call. Try the suggestions below to see if you can solve the problem before calling a service technician.

Troubleshooting Guide

PROBLEM	POSSIBLE CAUSE
The appliance does not operate.	Not connected to power supply. Circuit breaker has tripped or fuse is blown.
The heating element cycles on and off frequently.	The power setting is too low.
Burners will not maintain a rolling boil or frying rate is not fast enough.	You must use pans that are absolutely flat. Pan bottom should closely match the diameter of the burner selected.
Foods cook slowly	Improper cookware being used.
Burners' control knobs will not turn.	You are not pushing in before turning.

LIMITED WARRANTY

ONE-YEAR LIMITED WARRANTY

Within the 48 contiguous United States, for one year from the date of purchase, when this appliance is operated and maintained according to instructions attached to or furnished with the product, warrantor will pay for factory-specified parts and repair labor to correct defects in materials or workmanship. Service must be provided by a designated service company. Outside the 48 states, all parts are warranted for one year from manufacturing defects. Plastic parts, shelves and cabinets are warranted to be manufactured to commercially acceptable standards, and are not covered from damage during handling or breakage.

ITEMS WARRANTOR WILL NOT PAY FOR:

1. Service calls to correct the installation of your appliance, to instruct you how to use your appliance, to replace or repair fuses or to correct wiring or plumbing.
2. Service calls to repair or replace appliance light bulbs or broken shelves. Consumable parts (such as filters) are excluded from warranty coverage.
3. Damage resulting from accident, alteration, misuse, abuse, fire, flood, acts of God, improper installation, installation not in accordance with electrical or plumbing codes, or use of products not approved by warrantor.
4. Replacement parts or repair labor costs for units operated outside the United States.
5. Repairs to parts or systems resulting from unauthorized modifications made to the appliance.
6. The removal and reinstallation of your appliance if it is installed in an inaccessible location or is not installed in accordance with published installation instructions.

DISCLAIMER OF IMPLIED WARRANTIES; LIMITATION OF REMEDIES

CUSTOMER'S SOLE AND EXCLUSIVE REMEDY UNDER THIS LIMITED WARRANTY SHALL BE PRODUCT REPAIRS PROVIDED HEREIN. IMPLIED WARRANTIES, INCLUDING WARRANTIES OF MERCHANTABILITY OR FITNESS FOR A PARTICULAR PURPOSE, ARE LIMITED TO ONE YEAR. WARRANTOR SHALL NOT BE LIABLE FOR INCIDENTAL OR CONSEQUENTIAL DAMAGES. SOME STATES DO NOT ALLOW THE EXCLUSION OR LIMITATION OF INCIDENTAL OR CONSEQUENTIAL DAMAGES, OR LIMITATIONS ON THE DURATION OF IMPLIED WARRANTIES OF MERCHANTABILITY OR FITNESS, SO THESE EXCLUSIONS OR LIMITATIONS MAY NOT APPLY TO YOU. THIS WARRANTY GIVES YOU SPECIFIC LEGAL RIGHTS AND YOU MAY ALSO HAVE OTHER RIGHTS, WHICH VARY FROM STATE TO STATE.



WARNING: This product can expose you to chemicals including Nickel (Metallic) which is known to the State of California to cause cancer, birth defects or other reproductive harm.

For more information go to www.P65Warnings.ca.gov

Note: Nickel is a component in all stainless steel and some other metallic compositions.

FELIX STORCH, INC.
770 Garrison Avenue
Bronx, NY10474
Phone: (718) 893-3900
Fax: (844) 478-8799
www.summitappliance.com

SUMMIT

For parts and accessory ordering,
troubleshooting and helpful hints, visit:
www.summitappliance.com/support

Printed in China

TABLE DES MATIÈRES

Sécurité de l'appareil	17
Mesure de sécurité importantes	17 - 19
Emplacement des pièces	20 - 21
Instructions d'installation	22 - 26
Avant d'utiliser votre appareil	22
Installation de votre appareil	22 - 24
Connexion électrique	25 - 27
Utilisation de votre appareil	28 - 29
Utiliser votre table de cuisson	28
Indicateurs de fonctionnement	28
Sélection des ustensiles de cuisson	29
Dépannage	29
Soin et entretien	30
Nettoyer votre appareil	
Garantie limitée	31

SÉCURITÉ DE L'APPAREIL

Votre sécurité et celle des autres sont très importantes.

Nous avons fourni de nombreux messages de sécurité importants dans ce manuel et sur votre appareil. Toujours lire et obéir à tous les messages de sécurité.



C'est le symbole d'alerte de sécurité. Le symbole vous avertit des dangers potentiels qui peuvent tuer ou blesser vous et d'autres. Tous les messages de sécurité suivront le symbole d'alerte de sécurité et les mots DANGER ou AVERTISSEMENT.



DANGER signifie que le non-respect de cette déclaration de sécurité peut entraîner des blessures graves, voire la mort.



AVERTISSEMENT signifie que le non-respect de cette déclaration de sécurité peut entraîner des dommages importants au produit, des blessures graves ou la mort.

Tous les messages de sécurité vous alerteront du danger potentiel, vous indiqueront comment réduire les risques de blessure et vous indiqueront ce qui peut se passer si les instructions ne sont pas suivies.

MESURES DE SÉCURITÉ IMPORTANTES



Avant d'utiliser l'appareil, il doit être correctement positionné et installé comme décrit dans ce manuel, lisez-le attentivement. Pour réduire les risques d'incendie, choc électrique ou des blessures lors de l'utilisation de l'appareil, suivez les précautions de base, y compris les suivantes :



Il est recommandé de prévoir un circuit séparé desservant uniquement votre appareil. Utilisez des prises qui ne peuvent pas être éteintes par un interrupteur ou une chaîne.

Ne jamais nettoyer les pièces de l'appareil avec des fluides inflammables. Ces émanations peuvent créer un risque d'incendie ou d'explosion. Et n'entrez pas et n'utilisez pas d'essence ou d'autres liquides ou vapeurs inflammables à proximité de cet appareil ou de tout autre appareil. Les vapeurs peuvent créer un risque d'incendie ou d'explosion.

Avant de procéder aux opérations de nettoyage et d'entretien, assurez-vous que la ligne électrique de l'unité est débranchée.

Débranchez l'appareil avant de le nettoyer ou de le réparer. Sinon, vous risquez un choc électrique ou la mort.

Entretien par l'utilisateur - N'essayez pas de réparer ou de remplacer une pièce de votre appareil à moins que cela ne soit spécifiquement recommandé dans ce manuel. Tout autre entretien doit être confié à un technicien qualifié.



SUIVEZ LES AVERTISSEMENTS CI-DESSOUS UNIQUEMENT LORSQU'ILS SONT APPLICABLES À VOTRE MODÈLE

Cet appareil est uniquement destiné à la cuisine résidentielle. Le fabricant ne peut être tenu responsable des dommages ou des blessures résultant d'une utilisation incorrecte ou pour des utilisations autres que celles auxquelles cet appareil est destiné.

Ne touchez pas les surfaces chaudes. Utilisez des poignées ou des boutons.

Pour vous protéger contre les chocs électriques, ne plongez pas le cordon ou le corps de l'appareil dans l'eau ou tout autre liquide.

Une surveillance étroite est nécessaire lorsqu'un appareil est utilisé par ou à proximité d'enfants.

Ne faites pas fonctionner un appareil avec un cordon endommagé ou après un dysfonctionnement ou une détérioration quelconque de l'appareil. Renvoyez l'appareil à un centre de service agréé le plus proche pour un examen, une réparation ou un réglage.

L'utilisation d'accessoires non recommandés par le fabricant de l'appareil peut entraîner des blessures. Ne pas utiliser à l'extérieur.

Ne laissez pas le cordon pendre du bord de la table ou du comptoir, ni toucher des surfaces chaudes. Une extrême prudence doit être utilisée lors du déplacement d'un appareil contenant de l'huile chaude ou d'autres liquides chauds.

Pour débrancher le courant, mettez n'importe quelle commande sur "OFF".

ATTENTION - Ne rangez pas d'objets susceptibles d'intéresser les enfants dans des armoires situées au-dessus d'une cuisinière ou sur le dosseret d'une cuisinière. Les enfants qui grimpent sur la cuisinière pour atteindre les objets pourraient se blesser sérieusement.

Ne pas cuisiner sur une table de cuisson cassée - Si la table de cuisson devait se briser, des solutions de nettoyage et des éclaboussures pourraient pénétrer dans la table de cuisson cassée et créer un risque de choc électrique.

Nettoyez la table de cuisson avec précaution - Si vous utilisez une éponge ou un chiffon humide pour essuyer les renversements sur une zone de cuisson chaude, veillez à ne pas vous brûler à la vapeur. Certains nettoyeurs peuvent produire des émanations nocives s'ils sont appliqués sur une surface chaude.

L'appareil doit être installé avec toutes les connexions électriques, d'eau et de drainage conformément aux codes locaux et en vigueur. Une alimentation électrique standard (240 V CA seulement, 60 Hz), correctement mise à la terre conformément au code national de l'électricité et aux codes et ordonnances locaux, est requise.

Instructions de mise à la terre électrique - L'appareil doit être installé et mis à la terre par un technicien qualifié conformément au code électrique national ANSI / NFPA N ° 70 (dernière édition) et aux exigences du code électrique local.

Ne pliez pas et ne pincez pas le cordon d'alimentation de l'appareil.

La taille du fusible (ou du disjoncteur) doit être de 20 ampères..

Installation correcte - Assurez-vous que votre appareil est correctement installé, conformément aux instructions du fabricant.

N'utilisez jamais votre appareil pour réchauffer ou chauffer la pièce.

Ne laissez pas les enfants seuls - Les enfants ne doivent pas être laissés seuls ou sans surveillance dans une zone où l'appareil est utilisé. Ils ne doivent jamais être autorisés à s'asseoir ou à se tenir debout sur une partie quelconque de l'appareil.

Utilisez une taille de casserole appropriée - Cet appareil est équipé d'une ou de plusieurs unités de surface de taille différente. Sélectionnez des ustensiles ayant un fond plat suffisamment grand pour recouvrir l'élément chauffant de l'unité de surface. L'utilisation d'ustensiles trop petits exposera une partie de l'élément chauffant au contact direct et pourrait provoquer l'inflammation des vêtements. La relation correcte entre l'ustensile et le brûleur améliorera également l'efficacité.

Ne jamais laisser les unités de surface sans surveillance à des températures élevées - L'ébullition provoque la formation de fumées et de débordements graisseux pouvant s'enflammer et créer un risque d'incendie.

Ne touchez pas les éléments chauffants ou les zones proches des éléments chauffants - Les éléments chauffants peuvent être chauds même s'ils sont de couleur sombre. Les zones proches des éléments

chauffants peuvent devenir suffisamment chaudes pour causer des brûlures. Pendant et après l'utilisation, ne touchez pas et ne laissez pas les vêtements ou autres matériaux inflammables entrer en contact avec les éléments chauffants ou les zones proches des éléments chauffants avant qu'ils n'aient eu le temps de refroidir. La table de cuisson et les surfaces faisant face à la table de cuisson font partie de ces zones.

Porter des vêtements appropriés - Ne jamais porter de vêtements amples ou suspendus lors de l'utilisation de l'appareil.

Stockage dans ou sur l'appareil - Les matériaux inflammables ne doivent pas être stockés dans un four ni à proximité d'appareils de surface.

N'utilisez pas d'eau sur des feux de graisse - Étouffez le feu ou les flammes ou utilisez un extincteur à poudre chimique ou à mousse.

Utilisez uniquement des gants isolants secs - des gants isolants humides sur des surfaces chaudes peuvent provoquer des brûlures par la vapeur. Ne laissez pas le manique toucher des éléments chauffants chauds. N'utilisez pas une serviette ou un autre chiffon épais.

Assurez-vous que les plateaux réflecteurs ou les gouttières sont en place - leur absence pendant la cuisson peut endommager le câblage ou les composants situés en dessous.

Revêtements protecteurs - N'utilisez pas de papier aluminium pour recouvrir les bols d'égouttement ou les fonds de four de l'unité de surface, sauf indication contraire dans le manuel. Une mauvaise installation de ces doublures peut entraîner un risque de choc électrique ou d'incendie.

Ustensiles de cuisson vitrés - Seuls certains types d'ustensiles en verre, en verre / céramique, en céramique, en terre cuite ou en émaillé conviennent au service dans les fourneaux sans se rompre en raison du changement brusque de température.

Les poignées d'ustensile doivent être tournées vers l'intérieur et ne pas s'étendre sur les unités de surface adjacentes - afin de réduire les risques de brûlures, d'inflammation de matériaux inflammables et de renversements dus à un contact non intentionnel avec l'ustensile, la poignée d'un ustensile doit être positionnée de manière à pouvoir être retournée, et ne s'étend pas sur les unités de surface adjacentes.

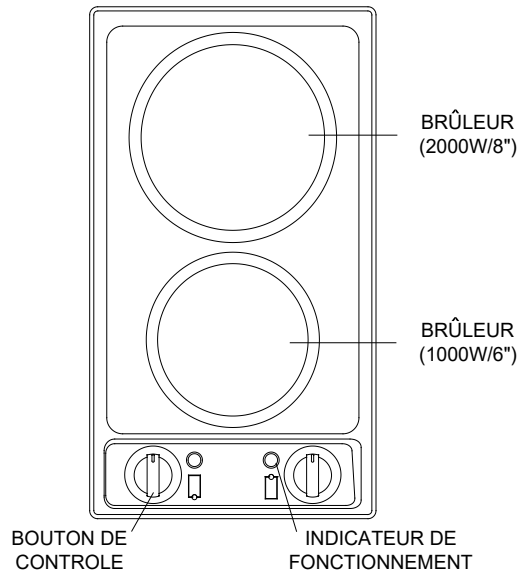
Ne pas faire tremper les éléments chauffants amovibles - Les éléments chauffants ne doivent jamais être immergés dans l'eau.

Utilisez cet appareil uniquement dans le but pour lequel il a été conçu, tel que décrit dans ce manuel du propriétaire.

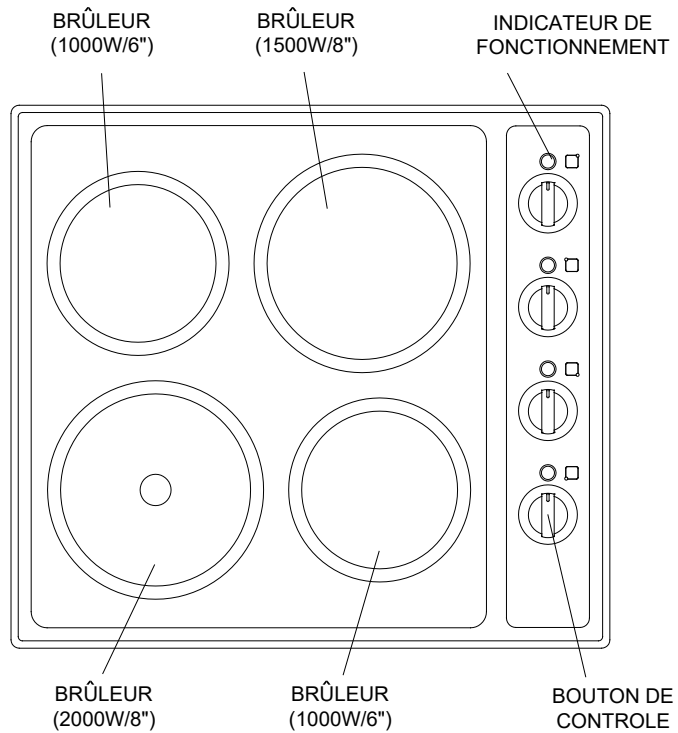
- CONSERVEZ CES INSTRUCTIONS -

EMPLACEMENT DES PIÈCES

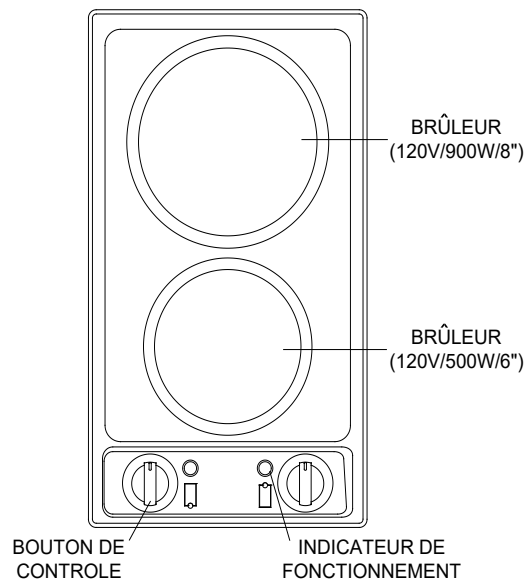
MODÈLE CSD2B230



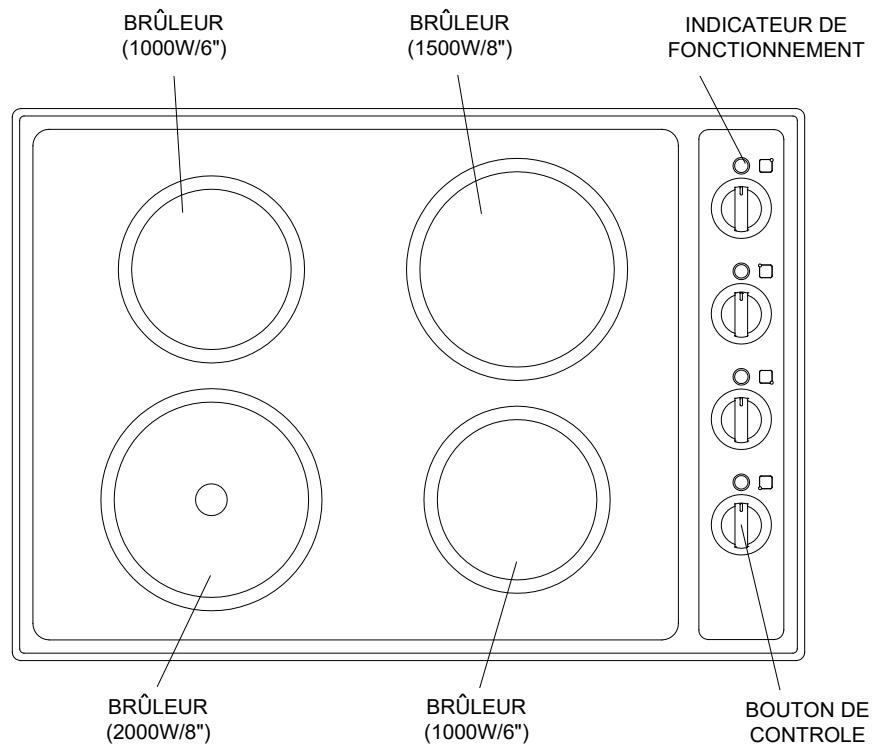
MODÈLE CSD4B24



MODÈLE CSD2B115 / CSD2B115E / LCSD1152B



MODÈLE CSD4B300 / CSD4B301E / LCSD302



INSTRUCTIONS D'INSTALLATION

AVANT D'UTILISER VOTRE APPAREIL

Retirez l'emballage extérieur.

Vérifiez si l'appareil est endommagé.

Nettoyez l'appareil. Un nettoyage en profondeur avec un nettoyant pour table de cuisson recommandé donnera un revêtement propre et brillant à la surface de la table de cuisson.

INSTALLATION DE VOTRE APPAREIL

Suivez ces instructions pour préparer la découpe du comptoir et installer votre table de cuisson.:

1. Préparation du comptoir

NOTE: Veuillez lire cette section avant de découper la table de cuisson. Il est important de planifier l'installation de la table de cuisson en tenant compte des dimensions suivantes..

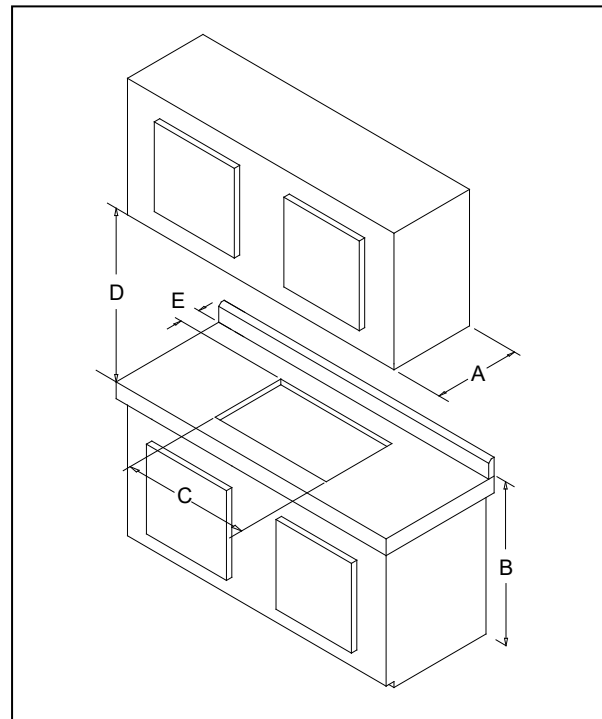
A — Profondeur maximale d'armoires suspendues de 13 pouces

B — 36 pouces est la hauteur minimale du comptoir au-dessus du sol

C — La surface de comptoir plate minimale sur laquelle la table de cuisson reposera doit être égale ou supérieure aux dimensions globales de la table de cuisson (reportez-vous à la page suivante pour connaître les dimensions globales de la table de cuisson).

D — Espace libre minimal de 30 pouces entre le haut de la surface de cuisson et le bas d'une armoire en bois ou en métal non protégée ou espace minimum de 24 pouces lorsque la partie inférieure de l'enceinte en bois ou en métal est protégée par un panneau de particules ignifuge d'au moins 1/4 de pouce d'épaisseur recouvert avec au moins de la tôle d'acier MSG n ° 28, de l'acier inoxydable de 0,015 pouce, de l'aluminium de 0,024 pouce ou du cuivre de 0,020 pouce.

E — Minimum de 1 pouce du dossier du comptoir au bord du verre (reportez-vous à la page suivante pour connaître les dimensions générales de la table de cuisson).



NOTE: Ne pas installer à moins de 12 mm (1/2 po) de toute surface adjacente.

⚠ AVERTISSEMENT ⚠

Pour éviter tout risque de brûlure en atteignant les unités de surface chauffées, évitez de laisser un espace de stockage dans l'armoire au-dessus des unités de surface. Si le stockage des armoires doit être fourni, le risque peut être réduit en installant une hotte de cuisinière qui fait saillie horizontalement à au moins 5 "du fond des armoires.

Avant de découper le comptoir, vérifiez le jeu. Vérifiez si la table de cuisson dégage les parois avant et

latérales de l'armoire de base. Il est également important de prévoir une ventilation suffisante.

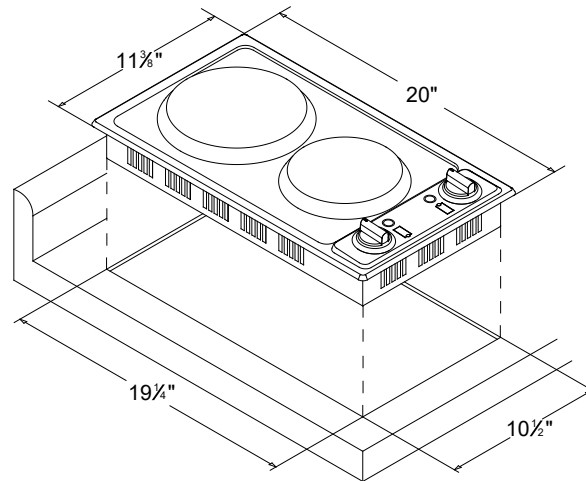
Une ventilation adéquate de l'espace sous le comptoir doit être fournie pour assurer le bon fonctionnement de la table de cuisson. La chaleur transférée du plateau inférieur de la table de cuisson pendant le fonctionnement peut surchauffer une zone mal ventilée.

Laissez un dégagement minimum de 2 "entre le bas du plateau en métal de la table de cuisson et toute surface inflammable située en dessous, c.-à-d., le bord supérieur du tiroir installé sous la table de cuisson. Le non-respect des dégagements et de la ventilation peut entraîner un risque d'incendie. Si la table de cuisson est installée au-dessus d'un four, veillez à ce que le cordon d'alimentation de la table de cuisson ne touche pas le four..

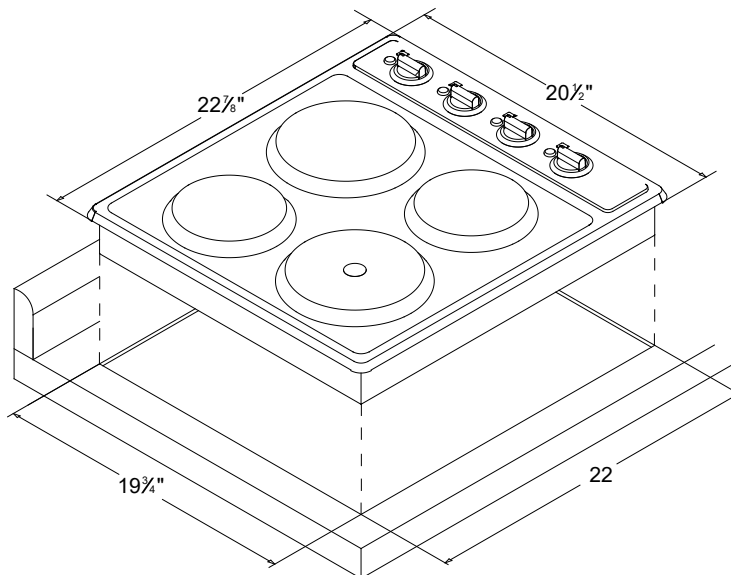
Les dimensions de la table de cuisson et les dimensions de la découpe du comptoir sont indiquées ci-dessous:

NOTE: Lors de la confection du comptoir, arrondissez les angles des découpes (un rayon de 1/4 "est typique). Cela évitera la fissuration du comptoir. Suivez les instructions du fabricant du comptoir concernant le rayon minimum et le renforcement des angles.

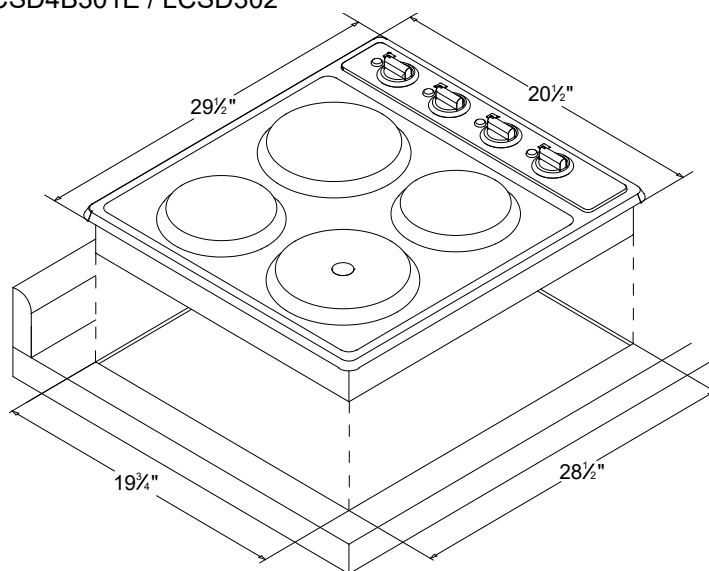
Modèle CSD2B230 / CSD2B115 / CSD2B115E / LCSD1152B



Modèle CSD4B24



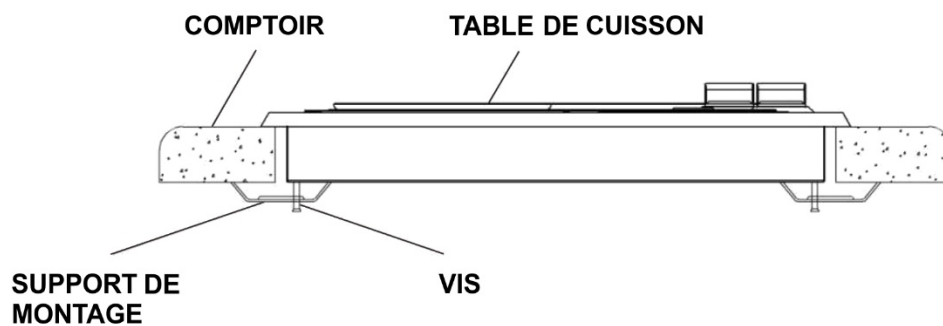
Modèle CSD4B300 / CSD4B301E / LCSD302



2. Installer la table de cuisson

Quatre supports de montage sont fournis avec la table de cuisson électrique. Ces supports sont conçus pour maintenir la table de cuisson fermement en place. La table de cuisson doit être collée au comptoir en utilisant un composé de literie doux qui empêchera les dommages si un retrait ultérieur est nécessaire. Nous recommandons une très petite perle de mastic silicone.

Positionnez la table de cuisson dans l'ouverture de la découpe et appuyez fermement sur tous les côtés pour sceller le cadre dans le composé de literie. Fixez les supports de montage à la table de cuisson par le dessous avec les vis fournies, comme indiqué ci-dessous.



CONNEXION ÉLECTRIQUE

⚡AVERTISSEMENT⚡

Une mauvaise connexion de la mise à la terre de l'équipement peut entraîner un risque de choc électrique. Si le cordon d'alimentation de l'appareil est endommagé, faites-le remplacer par un centre de service autorisé.

L'appareil doit être correctement installé et mis à la terre par un technicien qualifié conformément au code électrique national ANSI / NFPA N ° 70 (dernière édition) et aux exigences du code électrique local. L'installation doit être effectuée par un électricien agréé.

L'unité peut être connectée au moyen d'un câblage permanent ou d'un kit de cordon d'alimentation. Le cordon d'alimentation n'est pas fourni, mais est disponible auprès de votre fournisseur local d'électricité.

Utilisez uniquement un cordon à 3 ou 4 conducteurs homologué UL et évalué à 20 ampères avec une plage de tension minimale de 250V. Ces cordons peuvent être fournis avec un réducteur de tension ou un connecteur de conduit.

L'unité doit être connectée à la tension et à la fréquence électriques appropriées comme spécifié sur l'étiquette.

L'unité doit être connectée directement à la boîte de jonction par un câble en cuivre gainé, blindé ou non métallique. Le câble blindé flexible sortant de la boîte à fusibles ou du disjoncteur doit être connecté directement à la boîte de jonction. Localisez la boîte de jonction de manière à laisser autant de mou que possible entre la boîte de jonction et l'appareil afin que l'unité puisse être déplacée si un entretien est nécessaire ultérieurement.

Ne coupez pas le conduit. Utilisez la longueur de conduit fournie.

Pour votre sécurité personnelle, l'appareil doit être correctement mis à la terre.

Retirez le fusible ou ouvrez le disjoncteur avant de commencer l'installation.

N'essayez pas de réparer ou de remplacer une pièce de l'appareil à moins que cela ne soit spécifiquement recommandé dans ce manuel. Tout autre entretien doit être confié à un technicien qualifié.

Pour minimiser les risques d'électrocution, débranchez cet appareil du secteur avant de procéder à toute opération de maintenance.

Avant d'installer cet appareil, veuillez vérifier les caractéristiques nominales indiquées sur l'étiquette située sur le capot arrière de cet appareil.

NOTE: La mise hors tension de l'appareil ne le déconnecte pas de l'alimentation électrique. Nous vous recommandons de faire réparer votre appareil par un technicien qualifié.

MODÈLES : CSD2B115 / CSD2B115E / LCSD1152B

- Cet appareil doit être correctement mis à la terre pour votre sécurité. Le cordon d'alimentation de l'appareil est équipé d'une fiche mise à la terre qui s'accouple avec les prises murales standard à trois broches pour minimiser les risques de choc électrique.
- Ne coupez ou ne retirez en aucun cas la troisième broche de terre du cordon d'alimentation fourni. Pour votre sécurité personnelle, cet appareil doit être correctement mis à la terre.
- Cet appareil nécessite une prise de terre électrique standard de 115/120 volts ça ~/60 Hz avec une prise à trois broches. Faites vérifier la prise murale et le circuit par un électricien qualifié pour vous assurer que la prise est correctement mise à la terre. Lorsqu'une prise murale standard à 2 broches est rencontrée, il est de votre responsabilité et obligation de la faire remplacer par une prise murale à 3 broches correctement mise à la terre.
- L'appareil doit toujours être branché sur sa propre prise électrique individuelle dont la tension nominale correspond à l'étiquette signalétique de l'appareil. Cela offre les meilleures performances et évite

également de surcharger les circuits de câblage de la maison qui pourraient provoquer un risque d'incendie dû à une surchauffe. Ne jamais débrancher l'appareil en tirant sur le cordon d'alimentation. Tenez toujours fermement la fiche et tirez-la tout droit hors de la prise. Réparez ou remplacez immédiatement tous les cordons d'alimentation qui se sont effilochés ou autrement endommagés. N'utilisez pas un cordon qui présente des fissures ou des dommages dus à l'abrasion sur sa longueur ou à chaque extrémité. Lorsque vous déplacez l'appareil, veillez à ne pas endommager le cordon d'alimentation.

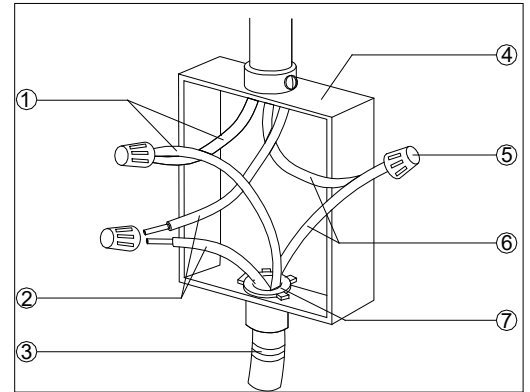
MODÈLES : CSD2B230 / CSD4B24 / CSD4B300 / CSD4B301E / LCSD302

- L'appareil doit être correctement installé et mis à la terre par un technicien qualifié conformément au Code national de l'électricité ANSI/NFPA n° 70 (dernière édition) et aux exigences du code électrique local. L'installation doit être effectuée par un électricien agréé.
- L'unité peut être connectée au moyen d'un câblage permanent ou d'un kit de cordon d'alimentation. Le cordon d'alimentation n'est pas fourni mais est disponible auprès de votre fournisseur local de fournitures électriques.
- Utilisez uniquement un cordon homologué UL à 3 ou 4 conducteurs évalué à 20 ampères avec une plage de tension minimale de 250 V. Ces cordons peuvent être munis d'un serre-câble ou d'un connecteur de conduit.
- L'unité doit être connectée directement à la boîte de jonction par un câble en cuivre souple, armé ou sous gaine non métallique. Le câble flexible armé s'étendant de la boîte à fusibles ou de la boîte de disjoncteur doit être connecté directement à la boîte de jonction. Localisez la boîte de jonction pour laisser autant de jeu que possible entre la boîte de jonction et l'unité afin que l'unité puisse être déplacée si l'entretien devient nécessaire à l'avenir.
- Ne coupez pas le conduit. Utilisez la longueur de conduit fournie.

1. Installation du cordon d'alimentation à 3 fils

IMPORTANT: Utilisez le câble à 3 fils de la source d'alimentation lorsque les codes locaux vous permettent de connecter le conducteur de masse du châssis au fil de la boîte de jonction neutre (blanc).

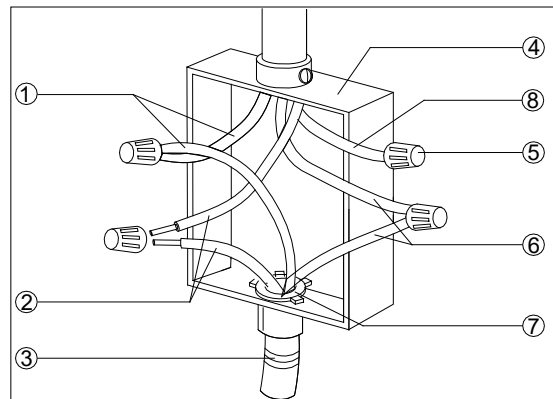
1. Déconnecter le pouvoir
2. Retirez le couvercle de la boîte de jonction, le cas échéant.
3. Raccordez le conduit de câble flexible (3) de la table de cuisson à la boîte de jonction (4) à l'aide d'un connecteur de conduit homologué UL ou approuvé CSA (7).
4. Serrez les vis sur le connecteur de conduit, le cas échéant.
5. Reliez les deux fils noirs (1) ensemble à l'aide de l'écrou de fil répertorié UL (5).
6. Connectez les deux fils rouges (2) ensemble à l'aide de l'écrou de fil répertorié UL.
7. Connectez le fil vert (6) au fil blanc (neutre) (6) dans la boîte de jonction à l'aide de l'écrou de fil répertorié UL.
8. Installez le couvercle de la boîte de jonction.
9. Rebranchez le courant.



2. Installation du cordon d'alimentation à 4 fils

IMPORTANT: Utilisez le câble à 4 fils de l'alimentation électrique lorsque les codes locaux ne permettent pas de connecter le conducteur de masse du châssis au fil neutre (blanc) de la boîte de jonction.

1. Déconnecter l'alimentation.
2. Retirez le couvercle de la boîte de jonction, le cas échéant.
3. Raccordez le conduit de câble flexible (3) de la table de cuisson à la boîte de jonction (4) à l'aide d'un connecteur de conduit homologué UL ou approuvé CSA (7).
4. Serrez les vis sur le connecteur de conduit, le cas échéant.
5. Reliez les deux fils noirs (1) ensemble à l'aide de l'écrou de fil répertorié UL (5).
6. Connectez les deux fils rouges (2) ensemble à l'aide de l'écrou de fil répertorié UL.
7. Reliez le fil vert (6) du câble de la table de cuisson au fil vert (6) (dans la boîte de jonction) à l'aide d'un écrou de fil répertorié UL.
8. Placez un écrou de fil répertorié UL au bout du fil blanc (8).
9. Installez le couvercle de la boîte de jonction.
10. Reconnecter l'alimentation.



UTILISATION DE VOTRE APPAREIL

UTILISER VOTRE TABLE DE CUISSON

Vous pouvez allumer n'importe quel brûleur en poussant le bouton de commande vers le bas et en le tournant dans le sens des aiguilles d'une montre ou dans le sens inverse des aiguilles d'une montre pour obtenir le réglage souhaité. Pour ajuster le réglage, tournez le bouton sans appuyer. Pour éteindre le brûleur, tournez le bouton de commande dans le sens des aiguilles d'une montre ou dans le sens inverse pour le désactiver.

INDICATEURS DE FONCTIONNEMENT

Lorsque le brûleur est allumé, le témoin de fonctionnement correspondant s'allumera quel que soit le réglage.

⚡ AVERTISSEMENT ⚡

Ne touchez et ne posez aucun objet sensible à la chaleur sur la table de cuisson tant que le témoin de fonctionnement est encore allumé. Danger de brûlures et de feu!

SÉLECTION DES USTENSILES DE CUISINE

Casseroles et poêles

Une batterie de cuisine spéciale n'est pas nécessaire, mais comme pour tous les types d'appareils de cuisson, meilleure est la batterie de cuisine, meilleure est sa performance.

En suivant ces conseils, vous pourrez tirer le meilleur parti de votre table de cuisson en céramique..

Pour une cuisson plus homogène et économe en énergie, le diamètre des casseroles doit correspondre le plus possible au diamètre des brûleurs.

Utilisez des ustensiles de cuisson au fond épais, plat et lisse. Les fonds légèrement concaves fonctionneront également de manière adéquate. Les casseroles à fond convexe ne cuisent pas bien.

L'utilisation d'un couvercle pendant la cuisson minimisera la perte de chaleur et réduira le temps de cuisson.

Les casseroles à fond de cuivre et en aluminium peuvent laisser des résidus sur la table de cuisson sous forme de lignes métalliques. C'est normal. Ces lignes peuvent être éliminées à l'aide d'un nettoyant pour table de cuisson en céramique non abrasif ou d'une lame de racloir blindée.

La fonte, le verre ou le grès ne doivent pas être utilisés car ils transmettent mal la chaleur et risquent de rayer la surface.

MISE EN GARDE: Assurez-vous de nettoyer la table de cuisson après chaque utilisation. Chaque fois que le résidu est autorisé à fondre, il devient plus difficile à éliminer et peut ternir l'apparence de la table de cuisson. Laissez la table de cuisson refroidir avant de la nettoyer.

DÉPANNAGE

Vous pouvez résoudre facilement de nombreux problèmes courants et économiser ainsi le coût d'un appel de service éventuel. Essayez les suggestions ci-dessous pour voir si vous pouvez résoudre le problème avant d'appeler un technicien de maintenance.

Troubleshooting Guide

PROBLÈME	CAUSE POSSIBLE
L'appareil ne fonctionne pas.	Non connecté à l'alimentation. Le disjoncteur s'est déclenché ou le fusible a sauté.
L'élément chauffant s'allume et s'éteint fréquemment.	Le réglage de puissance est trop bas.
Les brûleurs ne maintiendront pas l'ébullition ni la vitesse de friture.	Vous devez utiliser des casseroles absolument plates. Le fond de la casserole doit correspondre étroitement au diamètre du brûleur sélectionné.
Les aliments cuisent lentement	Batterie de cuisine inadéquate utilisée.
Les boutons de commande des brûleurs ne tournent pas.	Vous n'appuyez pas avant de tourner.

SOIN ET ENTRETIEN

NETTOYER VOTRE APPAREIL

N'utilisez pas de nettoyeur à vapeur pour nettoyer cet appareil. La vapeur pourrait pénétrer dans les composants électriques et provoquer un court-circuit. La vapeur sous pression pourrait causer des dommages permanents à la surface et aux composants pour lesquels le fabricant ne peut être tenu responsable.

Ne pas utiliser d'objets pointus qui pourraient endommager le joint entre la surface en céramique, le cadre environnant et le comptoir.

N'utilisez jamais de nettoyants abrasifs ou caustiques (au four), de détergent pour lave-vaisselle, de tampons à récurer, de laine d'acier ou de brosses dures. Ils vont endommager la surface.

La surface en céramique peut être nettoyée avec un nettoyant pour surfaces en céramique. Suivez les instructions du fabricant.

Assurez-vous qu'aucun résidu de nettoyant ne reste sur la surface en céramique en essuyant soigneusement la table de cuisson avec un chiffon humide. Les résidus pourraient endommager la table de cuisson ou produire des vapeurs toxiques lorsqu'il est chauffé.

Assurez-vous que les fonds des casseroles et des poêles sont propres et secs. Après le nettoyage, séchez la surface en céramique avec un chiffon doux pour éviter l'accumulation de calcaire.

Nettoyez tous les déversements immédiatement avant qu'ils ne deviennent difficiles à enlever.

Nettoyez l'appareil régulièrement, de préférence après chaque utilisation. Laissez l'appareil refroidir avant de le nettoyer.

Essuyez toute saleté à l'aide d'un chiffon humide. Il est préférable d'enlever les salissures tenaces à l'aide d'une lame racleuse blindée..

Appliquez un nettoyant céramique à l'aide d'un chiffon doux ou d'une serviette en papier. Pour éliminer les dépôts de calcaire ou les résidus métalliques, appliquez un nettoyant céramique à l'aide d'un chiffon doux et d'une lame de grattoir blindée si nécessaire.

Après le nettoyage, essuyez la surface en céramique avec un chiffon humide et séchez.

Vous pouvez utiliser un nettoyant avec un additif spécial pour éviter les traces d'eau sur la surface de la céramique.

Tous les solides fondus tels que le sucre, le plastique ou le papier d'aluminium doivent être éliminés dès que possible, alors que le brûleur est encore chaud. Si on leur permet de durcir, la table de cuisson peut devenir piquée.

GARANTIE LIMITÉE

UN AN DE GARANTIE LIMITÉE

Dans les 48 États américains contigus, pendant un an de la date d'achat, lorsque cet appareil est utilisé et entretenu conformément aux instructions jointes à ou fournies avec le produit, le garant paiera pour les pièces spécifiées en usine et pour la main-d'œuvre pour corriger les défauts de matériaux ou de fabrication. Le service doit être fourni par une compagnie de service désignée. En dehors des 48 États, toutes les pièces sont garanties pour une période d'un an à partir des défauts de fabricant. Les pièces en plastique, les étagères et armoires sont garantis pour être fabriquées conformément aux normes acceptées dans le commerce et ne sont pas couvertes contre les dommages survenus lors de la manipulation ou contre la rupture.

LE GARANT NE PAIERA PAS POUR

1. Les appels de service pour rectifier l'installation de votre appareil, pour vous indiquer comment utiliser votre appareil, remplacer ou réparer des fusibles ou rectifier le câblage ou la plomberie.
2. Les appels de service pour réparer ou remplacer des ampoules ou des étagères brisées. Les pièces consommables (tels que des filtres) sont exclus de la couverture de la garantie.
3. Les dommages résultant d'un accident, des modifications, de l'usage inapproprié ou abusif, d'un incendie, d'une inondation, les désastres naturels, une mauvaise installation, une installation non conforme aux codes d'électricité ou de plomberie, ou l'utilisation de produits non approuvés par le garant.
4. Les pièces de rechange ou les frais de réparation pour les appareils utilisés hors des États-Unis.
5. Les réparations aux pièces ou systèmes résultant de modifications non autorisées apportées à l'appareil.
6. Le déplacement et la réinstallation de votre appareil s'il est installé dans un endroit inaccessible ou n'est pas installé conformément aux instructions d'installation.

EXCLUSION DE GARANTIES IMPLICITES – LIMITATION DES RECOURS

LE SEUL ET UNIQUE RECOURS DU CLIENT EN VERTU DE CETTE GARANTIE LIMITÉE EST LA RÉPARATION DU PRODUIT COMME INDIQUÉ DANS LA PRÉSENTE. GARANTIE IMPLICITE, Y COMPRIS LES GARANTIES DE QUALITÉ MARCHANDE OU D'ADEQUATION À UN USAGE PARTICULIER, SONT LIMITÉES À UN AN. LE GARANT NE SERA PAS RESPONSABLE DES DOMMAGES DIRECTS OU INDIRECTS. CERTAINS ÉTATS NE PERMETTENT PAS L'EXCLUSION OU LA LIMITATION DES DOMMAGES DIRECTS OU INDIRECTS, OU LA LIMITATION DE LA DURÉE DES GARANTIES DE QUALITÉ MARCHANDE OU D'ADAPTATION, DE SORTE QUE CES EXCLUSIONS OU LIMITATIONS PEUVENT NE PAS S'APPLIQUER À VOUS. CETTE GARANTIE VOUS DONNE DES DROITS SPÉCIFIQUES ET VOUS POUVEZ AUSSI AVOIR D'AUTRES DROITS QUI PEUVENT VARIER D'UN ÉTAT À L'AUTRE.



AVERTISSEMENT : Ce produit peut vous exposer à des produits chimiques, y compris le nickel (métallisé), qui est connu de l'État de Californie pour causer le cancer, des anomalies congénitales ou d'autres problèmes de reproduction.

Pour plus d'informations, visitez le site www.P65Warnings.ca.gov

Remarque : Le nickel est un composant de tout acier inoxydable et d'autres compositions métalliques.

FELIX STORCH, INC.
770 Garrison Avenue
Bronx, NY10474
Téléphone: (718) 893-3900
Télécopie: (844) 478-8799
www.summitappliance.com

SUMMIT

Pour commander des pièces et des accessoires, résoudre des problèmes et obtenir des conseils utiles, visitez le site:
www.summitappliance.com/support

Imprimé en chine